



# CERAMIC FILTERS

**Filters for FM ,TV/VCR Stage, Communication**

## **Token Electronics Industry Co., Ltd.**

**Taiwan:** No. 137, Sec. 1, Chung Shin Rd., Wu Ku Hsiang, Taipei Hsien, Taiwan, R.O.C  
TEL: 886-2-2981 0109; FAX: 886-2-2988 7487

**China:** 12F, Zhongxing Industry Bld., Chuangye Rd., Nanshan District, Shenzhen, Guangdong  
TEL: 86-755-2605 5363, 2605 5364; FAX: 86-755-2605 5365



<http://www.token.com.tw>



[rfq@token.com.tw](mailto:rfq@token.com.tw)

# Product Index

## Information

● Introduction of Filters -----	01
● Terminologies of Filter Characteristic Properties -----	02

## Ceramic Filters for FM Series

● Chip Ceramic Filters - LTCS10.7M Series -----	05
● SMD Ceramic Filters for AM - LTCA/CV10.7M Series -----	07
● Ceramic Filters - LT10.7M Series -----	09
● Ceramic Filters - LT10.7M A10 Series -----	09
● Ceramic Filters - LT10.7M Series -----	09

## Ceramic Filters for for TV/VCR Stage

● Ceramic Filters - LT MB Series -----	13
● Ceramic Filters - LTT MA Series -----	16
● Ceramic Filters - LTS MCB/MDB Series -----	19

## Ceramic Filters for for TV/VCR Stage

● LTC 455/450 Series - Surface Mountable -----	22
● LTM 455/450 Series - Miniaturized Versions -----	25
● LT 455/450 U/W Series - G.D.T. Characteristics -----	28
● LTP Series - for Standard AM Filtering -----	31
● LTZ Series - for AM -----	34
● MLT Series - Miniature for AM -----	37
● LTB Series - Shrinking Mobile Communication -----	39
● LTA Series - for Radio Cassette Recorder -----	42
● LZU Series - Search-Stop Signal Detection -----	45

Notice: Specification Changed or Version Updated will be posted at irregular intervals.  
All Updated and Final Specifications, Please Confirm with TOKEN ELECTRONICS  
REPRESENTATIVES.

✉ : [rfq@token.com.tw](mailto:rfq@token.com.tw)

🏠 : <http://www.token.com.tw>

# Information of Ceramic Filters

## **Introduction of Filters**

For more than two decades, piezo technology has been instrumental in the proliferation of solid state electronics. A view of the future reveals that even greater expectations will be placed on piezoelectric material in the area of new applications and for more stringent performance criteria in modern products.

The IC (Integrated Circuit) has found wide use in the field of commercial equipment, such as automotive radios, stereo systems, 2-way communications, TV sets, etc. Thus, new miniature integrated filters, with high performance, are extremely desirable for use in IF circuits.

Furthermore, radio wave disturbance due to rapid progress of data transmitting rate and remarkable sophistication of communication network have become significant traffic conflicts. Accordingly, the demand for filters with high selectivity and wide pass band width has boosted.

The IC application of the active elements will continue its progress, and there will be a growing demand for highly selective, non-adjustable, miniature and wide pass band width IF circuit.

## **Advantage of Token Piezoelectric Filters**

Token Electronics had been able to develop specialized piezo materials which when combined with an advance design have resulted in a complete line of practical, inexpensive piezo devices for entertainment and communications applications.

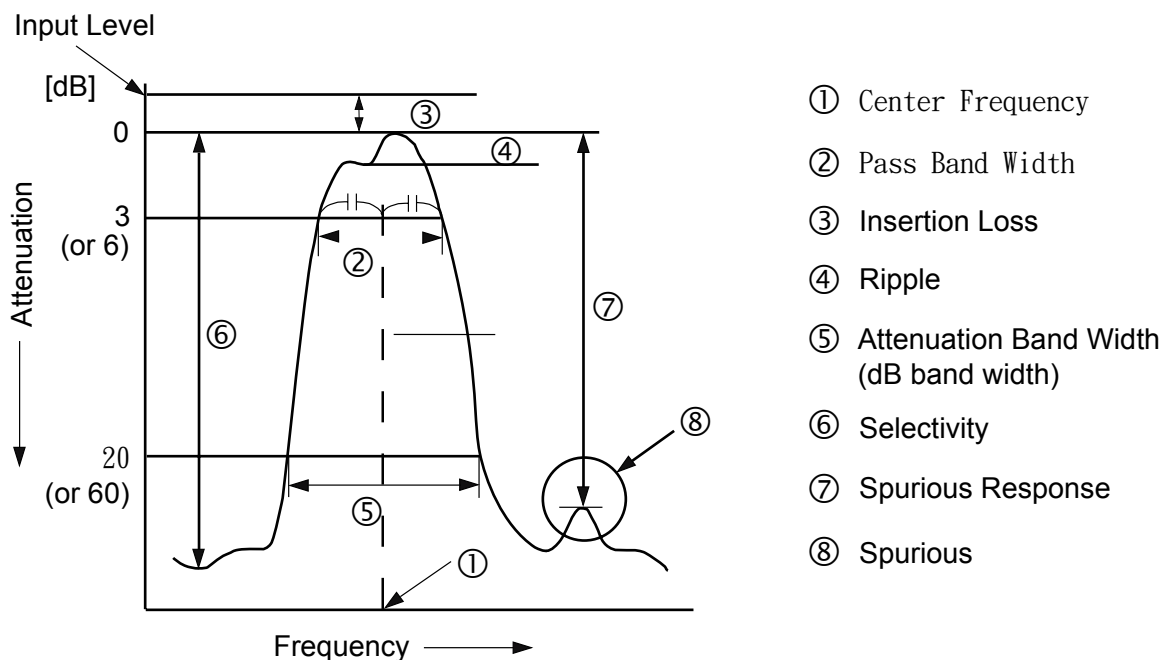
Token reliably deliver high-quality components according to the each customer special needs with respect to performance, costs, and technology modifications.

For marketing discontinuations or sourcing activities concerning Piezoelectric Filter products, you are encouraged to contact our Sales Department so the request can be properly directed within Token.

# Terminologies of Filter Characteristic Properties

## What is Ceramic Filter

Ceramic filter is a filter which uses a piezoelectric ceramics as an electrical-mechanical transducer and as a mechanical resonator. It provides simultaneously the electrical and the mechanical system within a single element



## What is Ceramic Filter

- **Center Frequency (Symbol:  $f_0$ ; Unit: Hz)**

It signifies the frequency in the center of the pass band width. However, the center frequency for some product is expressed at the point where the loss is minimum.

- **Pass Band Width (Symbol: PBW; Unit: Hz)**

Signifies a difference between the two frequencies where the attenuation becomes 3dB from the level of the minimum loss point.

- **Insertion Loss (Symbol: IL; Unit: dB)**

Expressed in the input and output level ratio at the point of minimum loss in dB. The insertion loss for some product is expressed in the input and output level ratio at the center frequency.

- **Ripple (Unit: dB)**

If there are peaks and valleys in a pass band width, the ripple expressed the level difference of voltage between the maximum peak and minimum valley and it is expressed in dB.

- **Attenuation Band Width (Symbol: ABW; Unit: Hz)**

Signifies a difference between the two frequencies where the attenuation becomes the specified values (dB) from the level of minimum loss.

(Example: Expressed at a point where the attenuation becomes 20 dB in case of 10.7 MHz filter.)

- **Selectivity (Unit: dB)**

Expressed as the attenuation of the detuning point from the center frequency.

(Example: The attenuation that  $\pm 9$  kHz was detuned from the center frequency in case of 455 kHz filter.)

- **Spurious Response (Symbol: sp; Unit: dB)**

Expressed as the difference of voltage ratio between minimum attenuation point in the stop band range and minimum loss point in the pass band width by using dB (The stopped range is specified with each filter).

- **Spurious**

Signifies the frequency response based on the parasitic (unwanted) vibration against the frequency except the fundamental vibration.

- **Input/Output Impedance (Unit:  $\Omega$ )**

Signifies the internal impedance value of the input and output side at the center frequency of ceramic piezoelectricity, and it is expressed in  $\Omega$ . It causes no problem even if the input and the output are used in reverse with ceramic piezoelectricity, since the input and the output impedance are in a symmetry of substantially almost same value.

- **Impedance Matching**

When connecting one electric circuit to another, or a component to another, or one electric circuit to a component, the electric energy is supplied most efficiently from the signal source to the load if the signal source impedance and the load impedance are same.

If these impedances are mismatched, electric energy escapes in form of a reflection. To match the signal source impedance and the load impedance is called the impedance matching. This is very important for ceramic piezoelectricity, as an improper impedance matching may cause various troubles.

## Chip Ceramic Filters

**LTCS10.7M Low Profile Chip Ceramic Filter  
is Murata SF ECS10M7 Compatible**

### ▶ Preview

Token LTCS10.7M Chip Ceramic Filter for FM-receiver utilizes the latest piezoelectric ceramic technology enabling the most cost-effective designs. The LTCS10.7M constructs with piezoelectric element which is connected in the sandwich shape by ceramics substrate. With a small mounting area ( $3.45 \pm 0.2 \times 3.1 \pm 0.2$  mm) and super thin profile (1.4 mm max.) enables flexible PCB design. Products conform to the RoHS directive.



Various bandwidths are available including standard and custom bandwidth on request with 30 db Minimum Spurious Attenuation at (9-12MHz). Maximum Insertion Loss (dB)  $3.5 \pm 2.0$  db ~  $4.5 \pm 2.0$  db and Input/Output Impedance  $330\Omega$  provide customers select a suitable type in accordance with the desired selectivity.

Custom parts are available on request. Token will also produce devices outside these specifications to meet specific customer requirements, please contact our sales for more information.

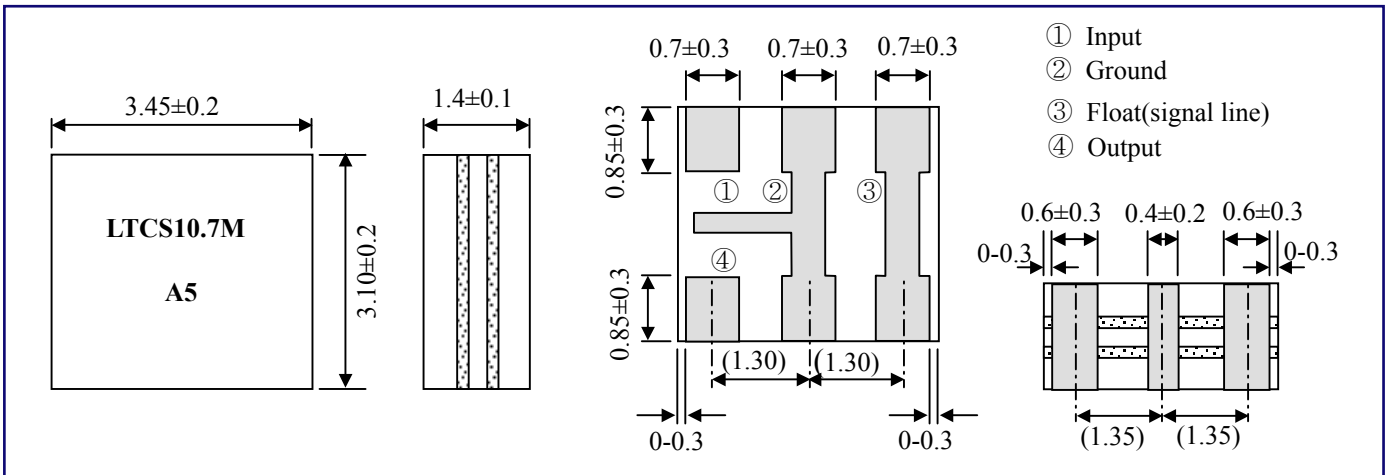
### ▶ Features

- Mountable by automatic placers.
- Storage temperature range:  $-40$  to  $+85$  ( °C ).
- Operating temperature range:  $-20$  to  $+80$  ( °C ).
- Various bandwidths are available. Select a suitable type in accordance with the desired selectivity.
- Slim at only 1.5mm max. thickness, and have a small mounting area enabling flexible PCB design.

### ▶ Applications

- Small, thin radios.
- Headphone stereos.

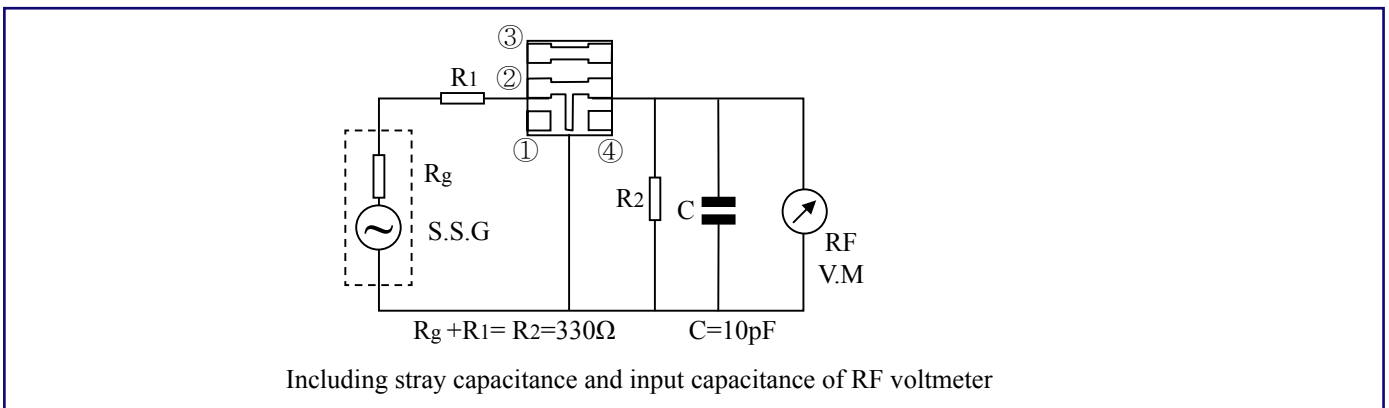
## Dimensions



## Technical Characteristics

Part Number	3dB Band Width (kHz)	20dB Band Width (kHz)max	Insertion Loss (dB)max	Spurious Attenuation (9-12MHz)(dB)min
LTCS10.7MS2	230±50	510	3.5±2.0	30
LTCS10.7MS3	180±40	470	4.5±2.0	30
LTCS10.7MA5	280±50	590	3.0±2.0	30
LTCS10.7MA20	330±50	700	3.0±2.0	30

## Test Circuit



## How to Order

LTCS10.7MS2

①

① Part Number

TR

②

② Packaging:( TR : Taping Reel )

*Back to 1st Page - Chip Ceramic Filters - LTCS10.7M*



# SMD Ceramic Filters for FM

**SMD Ceramic Filters with Low Profile  $1.5\pm 0.2$  mm,  
Murata SFECV10M7 Compatible**



## ▶ Preview

Token SMD ceramic filter (LTCA/CV10.7M) for AM/FM has been made smaller, thinner and in a chip configuration for surface mounting to be of help to the total chip circuit. This is one more example of Token's leadership in converting conventional electronic components to chip technology.

The LTCA/CV10.7M series for FM-receivers are monolithic type ceramic filters which utilize the thickness expander mode of the piezoelectric ceramic. Piezoelectric element is connected in the sandwich shape by heat resistant substrate, thus it has excellent mechanical strength, and it is suitable for automatic mounting.

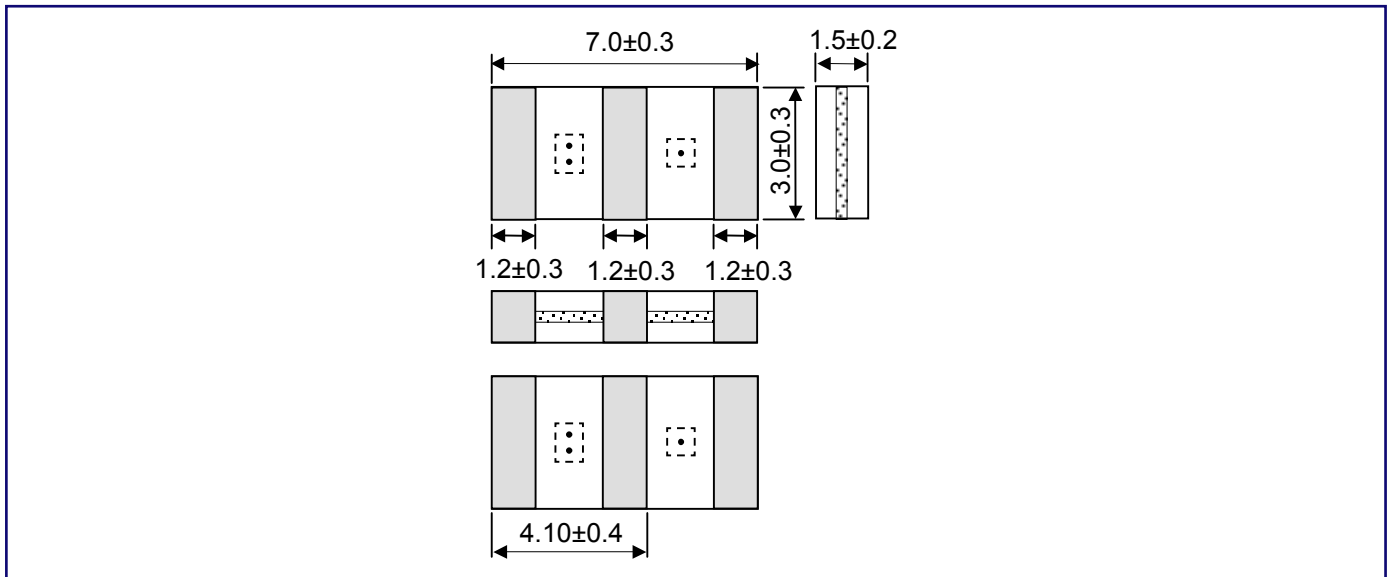
The dimensions of LTCA/CV10.7M chip ceramic filter is small as  $7.0\pm 0.3 \times 3.0\pm 0.3$  mm with low profile  $1.5\pm 0.2$  mm. Insertion Loss max(dB) is from 3.0 db ~ 10 db, Spurious Attenuation (9~12 MHz) min(dB) 30 db ~ 35 db with Input/Output Impedance:  $330\Omega$ . Various bandwidths are available. Select a suitable type in accordance with the desired selectivity.

The LTCA/CV10.7M series conform to the RoHS directive. Token will also produce devices outside these specifications to meet specific customer requirements, please contact our sales for more information.

## ▶ Applications

- Small, thin radios, automotive radios.
- Headphone stereos.

## ▶ Dimensions



## ▶ Technical Characteristics

Part Number	3dB BandWidth (kHz)	20dB Band Width (kHz) max	Insertion Loss (dB)max	Spurious Attenuation (9-12MHz)(dB)min
LTCA10.7MJ	150±40	430	10.0	30
LTCV10.7MJ	150±40	380	5.5±2.0	35
LTCA10.7MA5	280±50	650	6.0	30
LTCV10.7MA5	280±50	590	3.0±2.0	35
LTCA10.7MS2	230±50	570	6.0	30
LTCV10.7MS2	230±50	510	3.5±2.0	35
LTCA10.7MS3	180±40	520	6.0	30
LTCV10.7MS3	180±40	470	4.0±2.0	35

Note: Input/Output Impedance: 330Ω

## ▶ How to Order

LTCV10.7MA5

❶

❶ Part Number

TR

❷

❷ Packaging:( TR : Taping Reel )

*Back to 1st Page - SMD Ceramic Filters for AM - LTCA/CV10.7M*

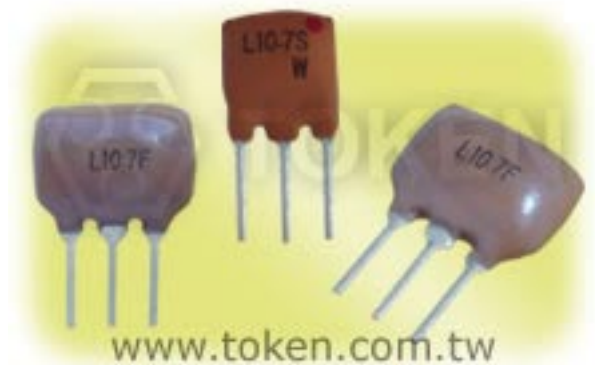
# Ceramic Filters for FM Receiver

**(LT10.7M) Ceramic Filters  
are Compatible Murata SFELF10M7**

## ► Preview

Token LT10.7M series are monolithic devices which utilize the energy-trapped thickness vibration-mode. This principle of operation is based upon the fact that an excellent resonating element with low spurious vibration can be obtained by adhering to certain theoretical parameters of design. These parameters include the physical dimensions of the peizo element, the electrode pattern, and the associated mass loading effect of the electrodes.

Token categorizes the LT 10.7 family according to rank of center frequency. This ranking indicates that a given LT 10.7 will be marked with one of the colors listed in the following chart and will exhibit the center frequency in Technical Characteristics Table.



The LT10.7M offers three series: LT10.7M for FM Receiver (Compatible Murata SFELF10M7), LT10.7M A10 Insertion Loss  $2.5 \pm 2.0$  db  $\sim 4.5 \pm 2.0$  db (Compatible Murata SFELF10M7 A10), and LT10.7M Wide Band-width 950 kHz at 20dB/Narrow Band-width 95 kHz at 20dB (Compatible Murata SFELF10M7 DBS Receiver).

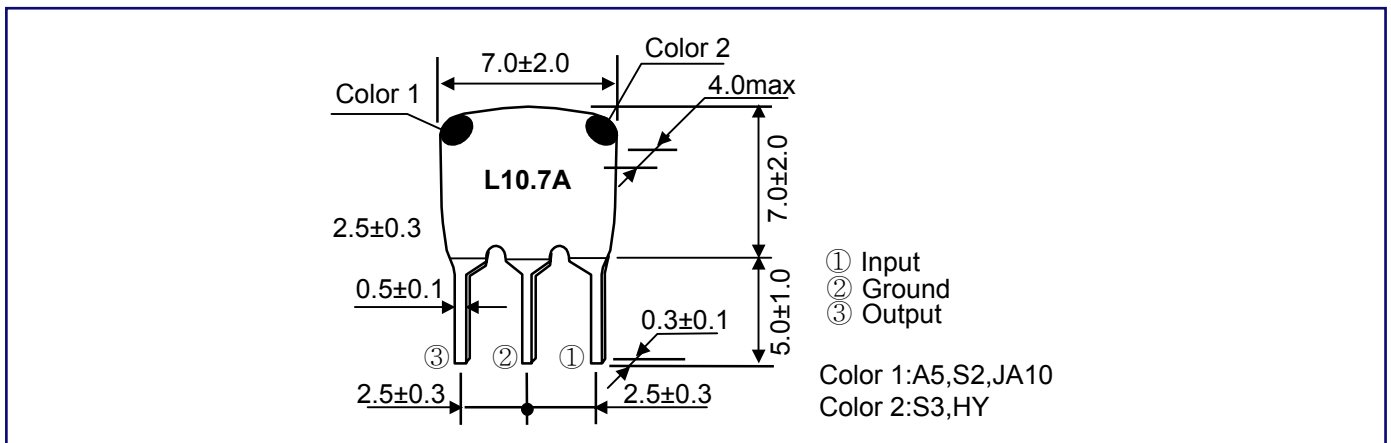
LT10.7M Narrow Band-width series features stable low spurious and temperature characteristics. This series is suitable for European car-audio or AM up conversion use that needs narrow band characteristics are stable. LT10.7M Wide Band-width series are specified to make up conventional ceramic filters which wider band characteristics not obtained.

Custom parts are available on request. Token will also produce devices outside these specifications to meet specific customer requirements, please contact our sales for more information.

## ► Applications

- Change in center frequency is typically within  $\pm 30$ ppm/ $^{\circ}$ C at  $-20^{\circ}$ C to  $+80^{\circ}$ C.
- Various band widths are available for applications in wide to narrow bands.
- Low loss, favorable waveform symmetry, and high selectivity.
- These miniature filters have high mechanical strength.
- Excellent shape factor of frequency response.
- Small dispersion and stable characteristics.
- Good waveform symmetry.
- High reliability.

## Dimensions



## FM Receiver (Murata SFE10M7 FM-IF Compatible) Technical Characteristics

Part Number	3dB Band Width (kHz)	20dB Band Width (kHz) max	Insertion Loss (dB) max	Spurious Attenuation (9-12MHz)(dB)min
LT10.7MA5	$280 \pm 50$	650	6	30
LT10.7MS2	$230 \pm 50$	600	6	40
LT10.7MS3	$180 \pm 40$	520	7	40

Note: Input/Output Impedance:  $330\Omega$

## Low - Loss Type (Murata SFE10M7 A10 Compatible) Technical Characteristics

PartNumber	3dB Band Width(kHz)	20dB Band Width(kHz) max	Insertion Loss(dB)	Spurious Attenuation (9-12MHz)(dB)min
LT10.7MA5A10	$280 \pm 50$	590	$2.5 \pm 2.0$	30
LT10.7MS2A10	$230 \pm 50$	520	$3.0 \pm 2.0$	35
LT10.7MS3A10	$180 \pm 40$	470	$3.5 \pm 1.5$	35
LT10.7MJA10	$150 \pm 40$	360	$4.5 \pm 2.0$	35

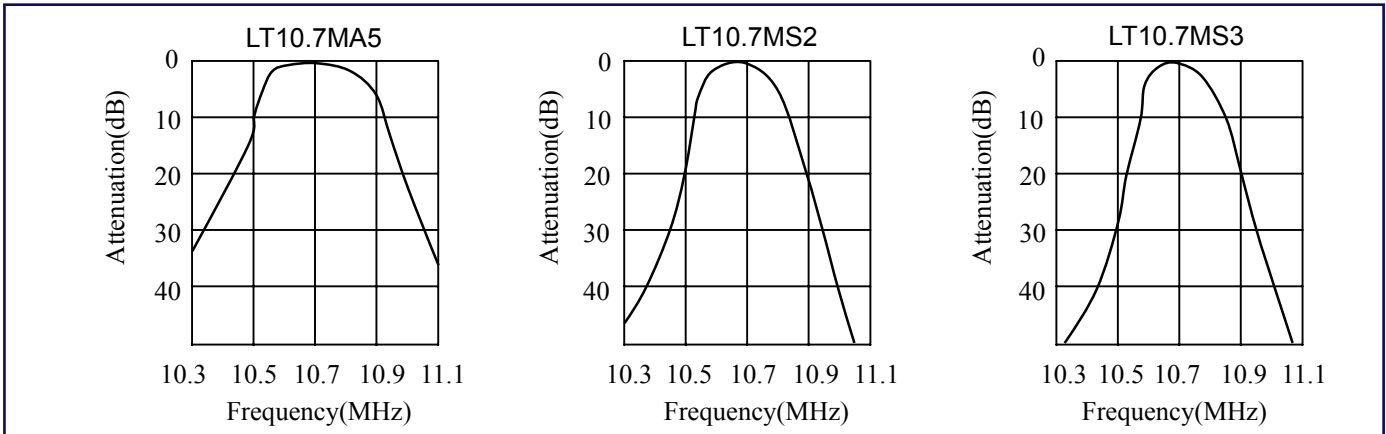
Note: Input/Output Impedance:  $330\Omega$

## Wide/Narrow Band-width (Murata SFE10M7 DBS Receiver Compatible) Technical Characteristics

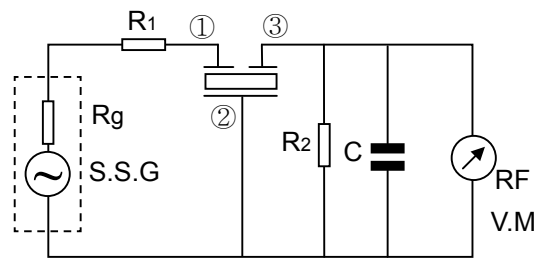
Part Number	3dB Band Width (kHz)	20dB Band Width (kHz) max	Insertion Loss (dB)	Spurious Attenuation (9-12MHz)(dB)min
LT10.7MA19	350min	950	$3.0 \pm 2.0$	20
LT10.7MA20	$330 \pm 50$	680	$4.0 \pm 2.0$	30
LT10.7MHY	$110 \pm 30$	350	$7.0 \pm 2.0$	30
LT10.7MFP	20min	95	6.0max	24( $10.7 \pm 1.0$ MHz)

Note: Input/Output Impedance:  $470\Omega$ (MA19),  $330\Omega$ (MA20, MHY),  $600\Omega$ (MFP)

## ▶ Characteristics



## ▶ Test Circuit



$$R_g + R_1 = R_2 = 330 \Omega \quad C = 10\text{pF}$$

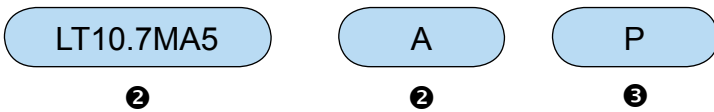
Including stray capacitance and input capacitance of RF voltmeter

1. When using ceramic filters, it is most important to match the input/output load to impedance 330 ohm (LT10.7MA19 is 470 ohm matching). Waveform symmetry is damaged when reactance is added to the input/output load.
2. Two ceramic filters directly connected can be used for high selectivity. For reducing waveform variation, it is recommended to input a buffer AMP between ceramic filters.
3. The LT10.7M series are of input/output symmetric structure so that in theory there is no input/output directionality. Actual circuits may use different input/output loading conditions (for example, mismatched impedance) or capacitance load. In such cases, the waveform will be a little changed by the direction of the input/output of the ceramic filters.

## ▶ Standard Marking Color

Center Frequency	Color
D:10.64MHz±30kHz	Black
B:10.67MHz±30kHz	Blue
A:10.70MHz±30kHz	Red
C:10.73MHz±30kHz	Orange
E:10.76MHz±30kHz	White

## ▶ How to Order



### ① Part Number

Part Number
LT10.7MA5
LT10.7MS2
LT10.7MS3
LT10.7MA5A10
LT10.7MS2A10
LT10.7MS3A10
LT10.7MJA10
LT10.7MA19
LT10.7MA20
LT10.7MHY
LT10.7MFP

### ② Center Frequency color code

Code	Center Frequency color code
A	10.70MHz±30kHz Red
B	10.67MHz±30kHz Blue
C	10.73MHz±30kHz Orange
D	10.64MHz±30kHz Black
E	10.76MHz±30kHz White

### ③ Package

Code	Package
P	Bulks
TB	Tab Box

*Back to 1st Page - Chip Ceramic Filters - LTCS10.7M*

# Ceramic Filters for TV/VCR Stage

**Ceramic Filters for TV/VCR Stage  
(Murata SFE MB Compatible) 4.5 MHz ~ 6.5 MHz**



## ▶ Preview

Token utilizes the latest piezo filter technology enabling the most cost-effective designs in manufacturing LT MB series. The ceramic filter is primarily designed for piezoelectric lines and conform to the RoHS directive and Lead-free. Ceramic filters for TV/VCR stage LT MB series can be customized designs and tighter tolerances available on request.

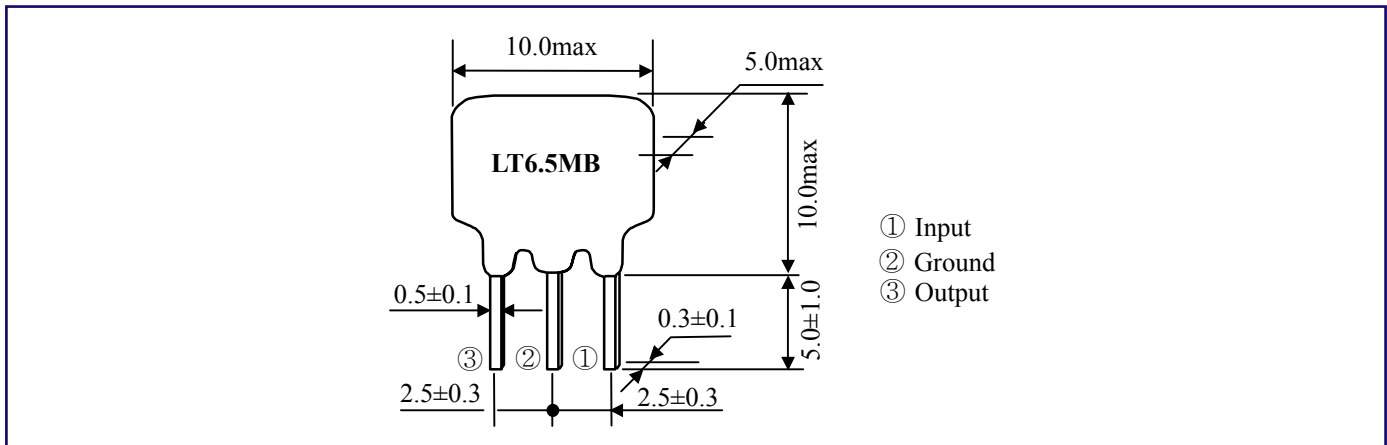
Application of ceramic filters specific designs also available including different piezo band-pass devices and Q specifications adjusted to frequency requirements. Token ceramic filters can supply you high performance, high quality and stability.

Token ceramic filters LT MB series are a high selectivity filter for 2 channel multi-sound TV. Features with frequency adjustment-free, high performance and durability, and high selectivity.

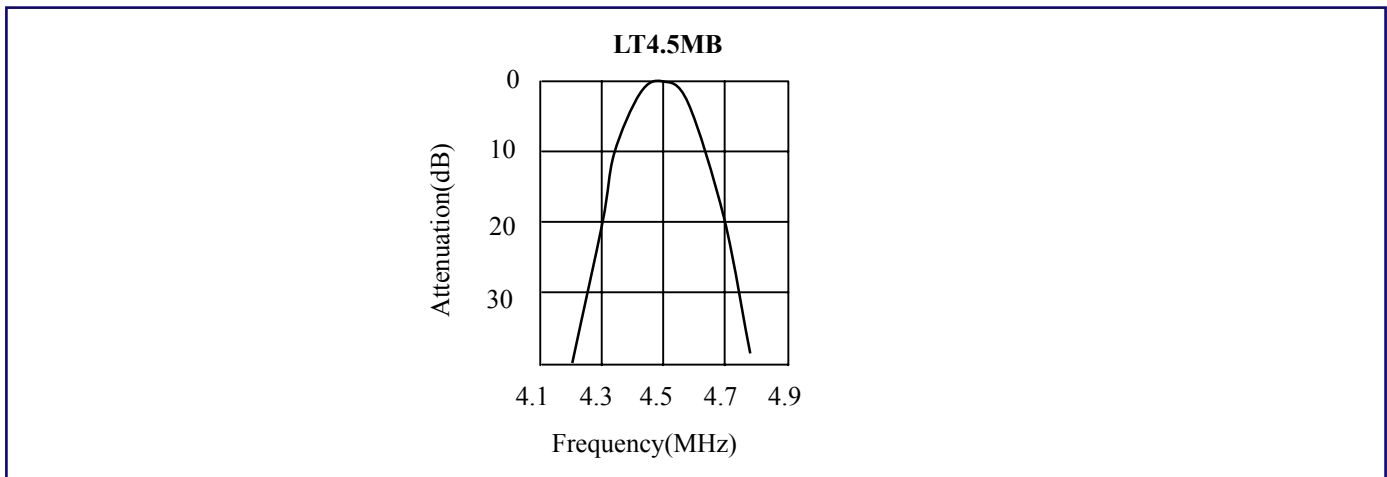
## ▶ Benefit Features

- Excellent spurious suppression characteristics within video signal band.
- Available 4 pass bandwidth variation to meet various requests.
- Low profile (H = 10.0mm max.).

## ▶ Dimensions



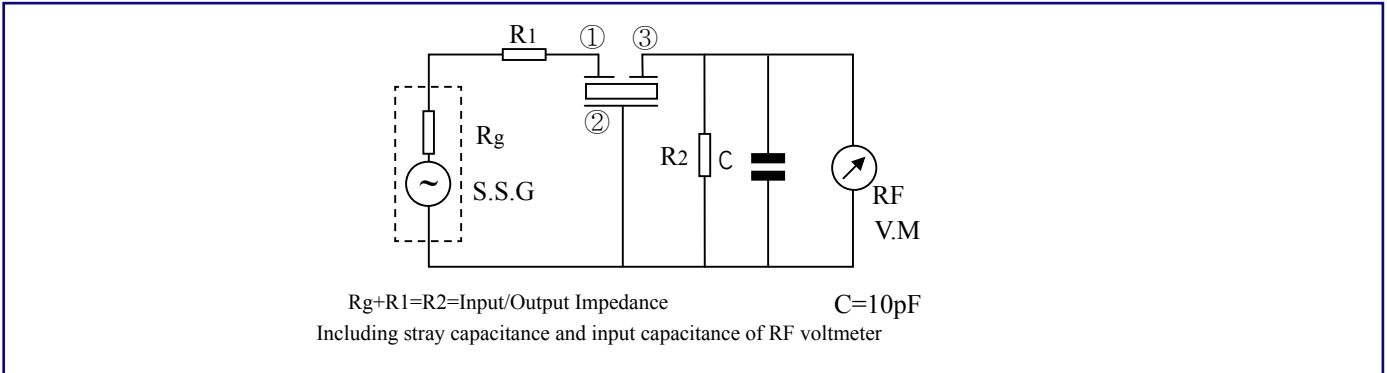
## ▶ FM Receiver (Murata SFE10M7 FM-IF Compatible) Technical Characteristics



Part Number	Nominal Center Frequency (fo) (MHz)	3dB Band Width (kHz) min	20dB Band Width (kHz) max	Insert Loss (dB) max	Spurious Attenuation (dB) min	Input/Output Impedance (Ω)
LT4.5MB	4.500	fo±60	530	6.0	20(4.5 <sup>+0.8</sup> <sub>-1.0</sub> MHz)	1000
LT5.5MB	5.500	fo±75	550	6.0	25(5.5±1MHz)	600
LT6.0MB	6.000	fo±80	600	6.0	25(6.0±1MHz)	470
LT6.5MB	6.500	fo±80	630	6.0	25(6.5+1MHz) 30(6.5-1MHz)	470



## ▶ Test Circuit



## ▶ How to Order

LT5.5MB

❶

P

❷

❶ Part Number

❷ Package

*Back to 1st Page - Ceramic Filters for TV/VCR Stage - LT MB*

# High-Selectivity Ceramic Filters for TV/VCR Stage

High-Selectivity Ceramic Filter for TV/VCR Stage Compatible Murata SFT



## ► Preview

Token high-selectivity Ceramic filters for TV/VCR stage LTT MA series is 4 element devices that offer more selectivity than the conventional LT series (Murata SFE). The improved spurious suppression of these filters eliminates the need for cascading multiple filtering devices; therefore, it is possible to design a more compact circuit board configuration.

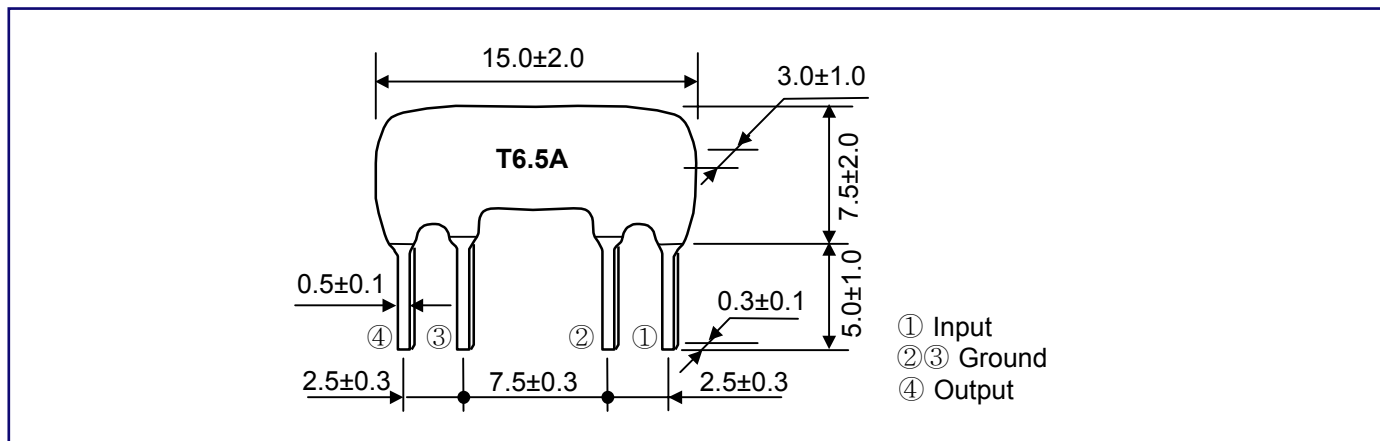
Token High-Selectivity Filter LTT MA series conform to the RoHS directive. This high-selectivity device can be customized designs and tighter tolerances available on request.

Application of ceramic filter specific designs also available including different piezo band-pass devices and Q specifications adjusted to frequency requirements. Token ceramic filters can supply you high performance, high quality and stability.

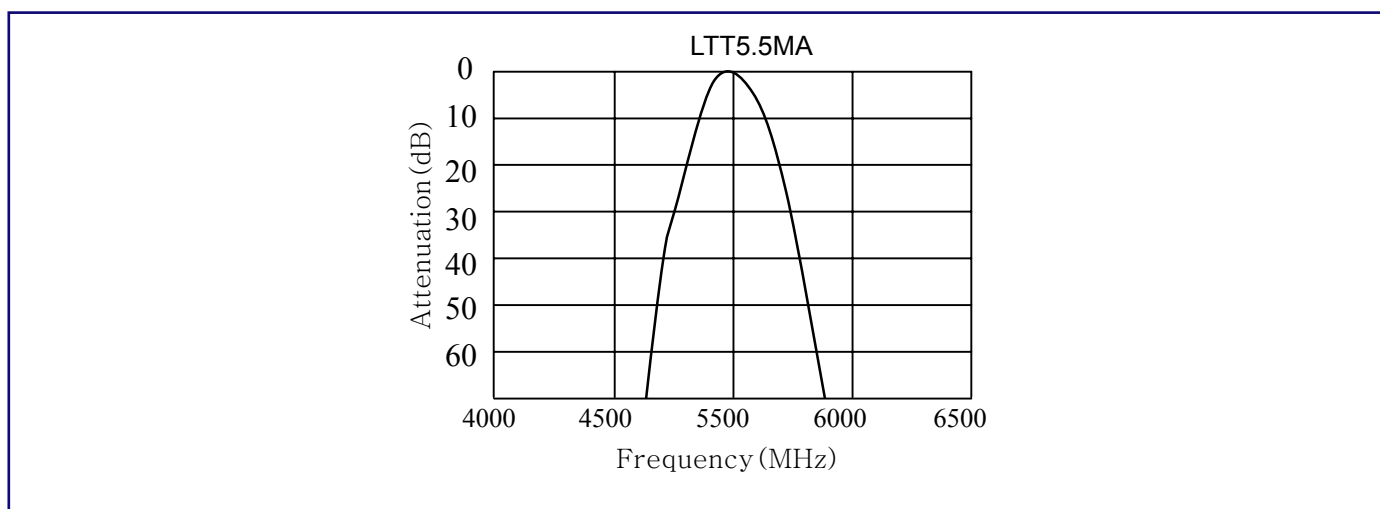
With dimensions (15±2.0 x 7.5±2.0 x 3.0±1.0 mm), Insert Loss max 9db and 10dB, Spurious Attenuation min 40dB and 50 db, and Input/Output Impedance 470Ω, 600Ω, 1000Ω, Nominal Center Frequency (fo) (MHz) of LTT MA series is available 4.500MHz, 4.724MHz, 5.500MHz, 5.742MHz, 6.000MHz, 6.250MHz, 6.500MHz, and 6.742MHz.

Custom parts are available on request. Token will also produce devices outside these specifications to meet specific customer requirements, please contact our sales for more information.

## Dimensions

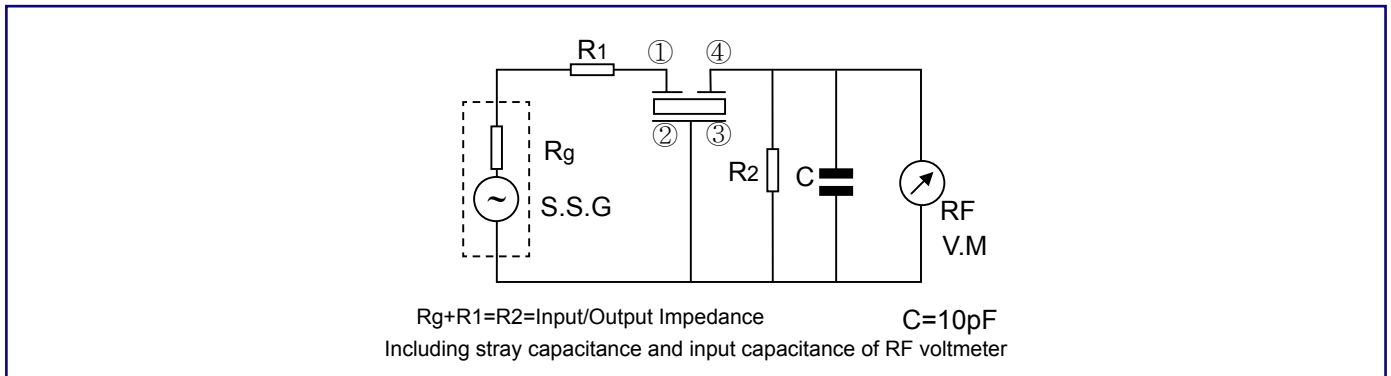


## Technical Characteristics



Part Number	Nominal Center Frequency (fo) (MHz)	3dB Band Width (kHz) min	20dB Band Width (kHz) max	Insert Loss (dB) max	Spurious Attenuation (dB) min	Input/Output Impedance (Ω)
LTT4.5MA	4.500	fo±40	370	10.0	40(4.5 <sup>+0.8</sup> <sub>-1.0</sub> MHz)	1000
LTT4.72MA	4.724	fo±40	370	10.0	40(4.72 <sup>+0.8</sup> <sub>-1.0</sub> MHz)	1000
LTT5.5MA	5.500	fo±50	350	9.0	40(5.5±1MHz)	600
LTT5.74MA	5.742	fo±50	350	9.0	50(5.74±1MHz)	600
LTT6.0MA	6.000	fo±50	400	9.0	50(6.0±1MHz)	470
LTT6.25MA	6.250	fo±50	400	9.0	50(6.25±1MHz)	470
LTT6.5MA	6.500	fo±50	400	9.0	50(6.5±1MHz)	470
LTT6.74MA	6.742	fo±50	400	9.0	50(6.74±1MHz)	470

## ▶ Test Circuit



## ▶ How to Order

LTT4.5MA

❶

❶ Part Number

P

❷

❷ Package

# Ceramic Filters Low Spurious for TV/VCR Stage

**Token (LTS MCB/MDB) Ceramic Filter  
is suitable for Multiplex Sound TV in America**



## ► Preview

Token series ceramic filters low spurious for TV/VCR stage LTS MCB/MDB series use thickness shear vibration mode and is compatible Murata SFSH MCB/MDB. Features with excellent spurious characteristics within Video Signal Band, and 3 types bandwidths prepared to respond customer requests. LTS MCB/MDB is suitable for Multiplex Sound TV in America.

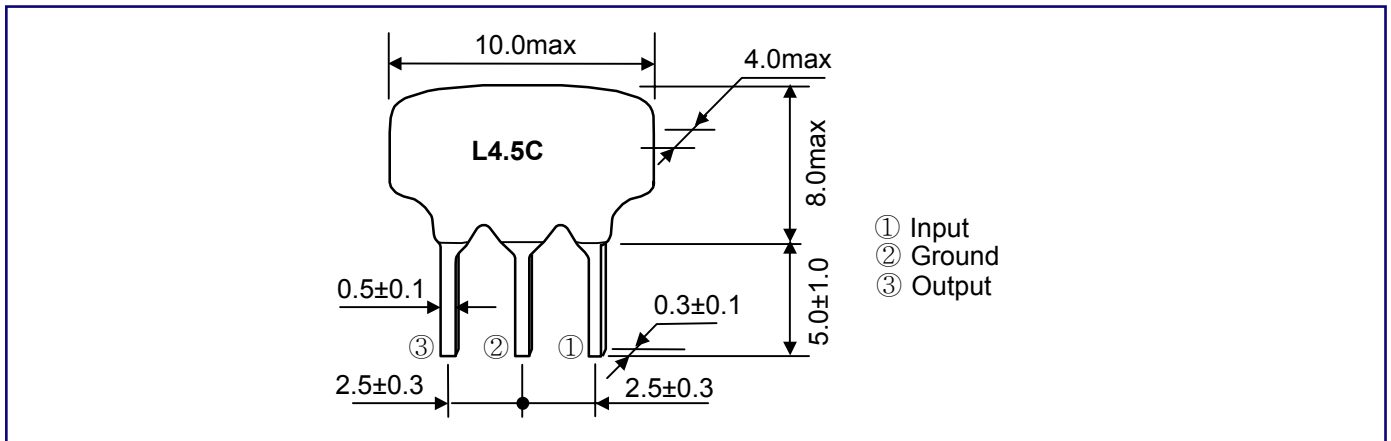
The LTS MCB/MDB series conform to the RoHS directive and Lead-free. This filter low spurious for TV/VCR stage LTS MCB/MDB series can be customized designs and tighter tolerances available on request.

Application of ceramic filter specific designs also available including different piezo band-pass devices and Q specifications adjusted to frequency requirements. Token ceramic filters can supply you high performance, high quality and stability.

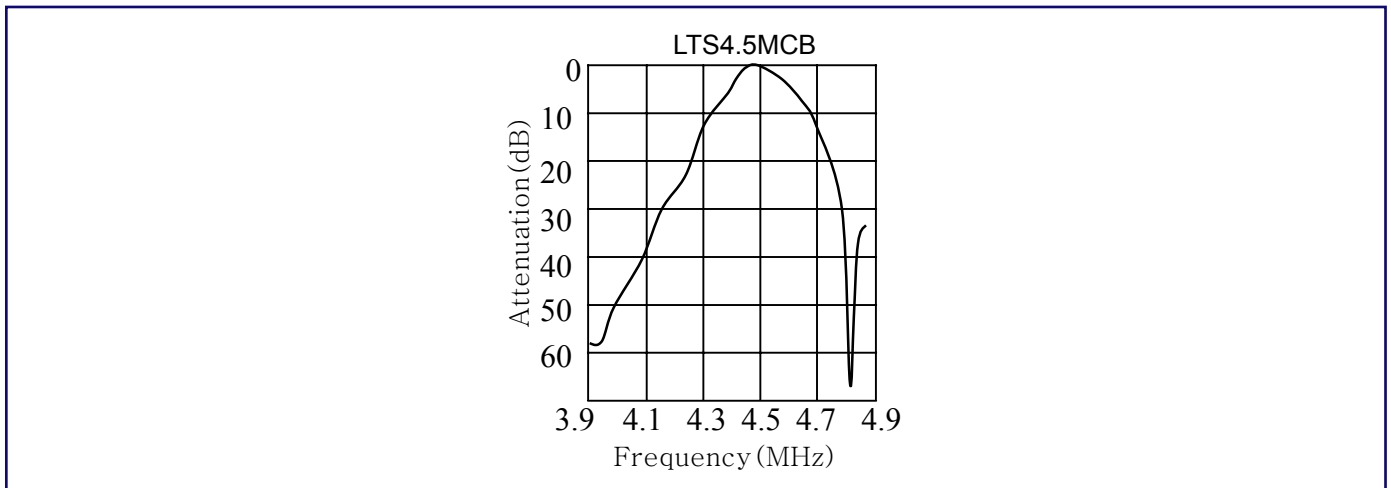
With dimensions max (10 x 8.0 x 4.0 mm), Insert Loss max 6dB, and Spurious Attenuation (0~fo) min 30dB, The LTS MCB/MDB has excellent spurious characteristics within Video Signal Band. Nominal Center Frequency (fo) is available with 4.500kHz, 5.500kHz, 6.000kHz, and 6.500kHz.

Custom parts are available on request. Token will also produce devices outside these specifications to meet specific customer requirements, please contact our sales for more information.

## Dimensions

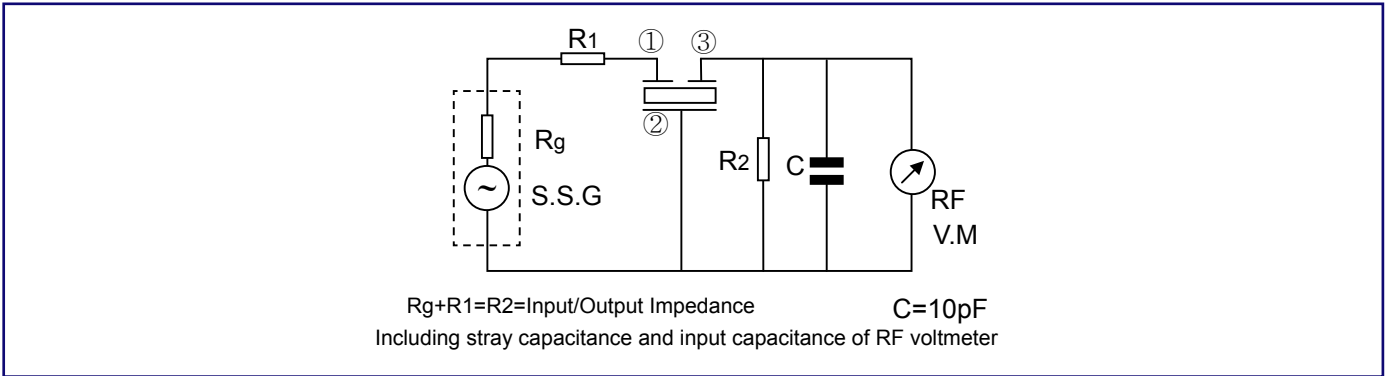


## Technical Characteristics



Part Number	Nominal Center Frequency (fo) (MHz)	3dB Band Width (kHz) min	20dB Band Width (kHz) max	Insert Loss (dB) max	Spurious Attenuation (0~fo) (dB) min	Input/Output Impedance (Ω)
LTS4.5MCB	4.500	fo±60	600	6.0	30	1000
LTS4.5MDB	4.500	fo±70	750	6.0	30	1000
LTS5.5MCB	5.500	fo±60	600	6.0	30	600
LTS5.5MDB	5.500	fo±80	750	6.0	30	600
LTS6.0MCB	6.000	fo±60	600	6.0	30	470
LTS6.0MDB	6.000	fo±80	750	6.0	30	470
LTS6.5MCB	6.500	fo±70	650	6.0	30	470
LTS6.5MDB	6.500	fo±80	800	6.0	30	470

## ▶ Test Circuit



## ▶ How to Order

LTS4.5MCB

❶

P

❷

❶ Part Number

❷ Package

*Back to 1st Page - Ceramic Filters Low Spurious for TV/VCR Stage - LTS MCB/MDB*

# Chip Ceramic Filters for Communication

## Surface Mount Ceramic Filters for Communication (Murata CFUCG Compatible)



### ▶ Preview

Token chip ceramic filters LTC455/450 U/W series for communication (Compatible to Murata CFUCG series) comprises small, high performance, thin (4.0mm) consisting of 4 ceramic elements. Their innovative construction is perfect for shrinking mobile communication products such as pocket pagers and cellular phones.

The surface mount LTC455/450 U/W series for AM use is one of the most recommendable intermediate filters, having such distinctive features as high selectivity, high stability and adjustment-free operation. Additionally its easy matching with IC helps create an easy circuit design.

With dimensions (7.5 x 6.0 mm) and 4.0 mm low profile, the LTC455/450 U/W filters have a small mounting area enabling flexible PCB design and are suitable for automatic placers. Standard Center Frequency is 455kHz with tolerance  $\pm 1.5$  and 450kHz is also available. Pass Band Ripple (dB) max is 2db, Input / Output Impedance is 1000 $\Omega$  and 1500 $\Omega$ .

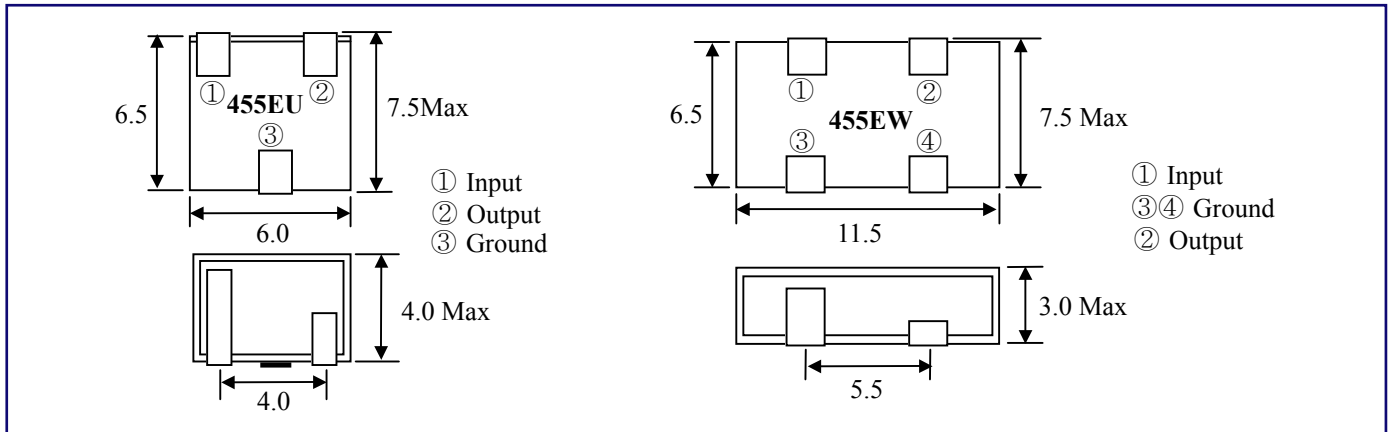
Custom parts are available on request. Token will also produce devices outside these specifications to meet specific customer requirements, please contact our sales for more information.

### ▶ Features

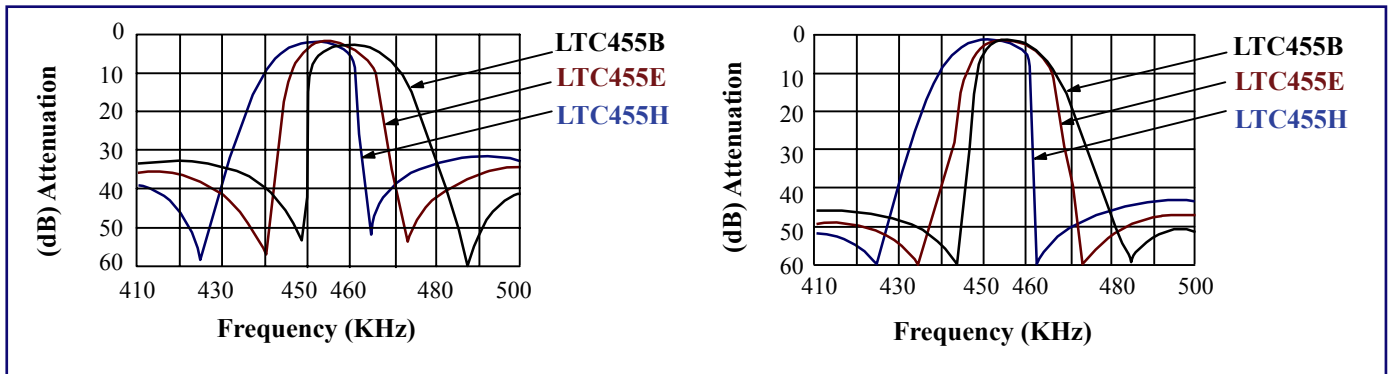
- They are slim, at only 4.0mm max. thickness, and have a small mounting area enabling flexible PCB design.
- Operating temperature range: -20°C to +80°C.
- Can be reflow soldered and withstand washing.
- The bandwidth ranges from D to G.
- Mountable by automatic placers.



## Dimensions



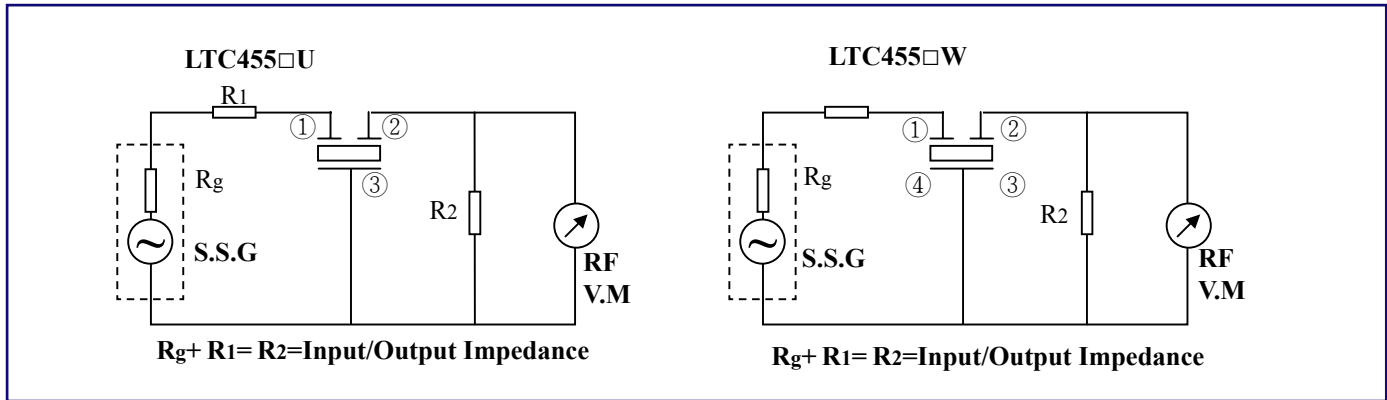
## Technical Characteristics



Part Number		Center Frequency (fo)(kHz)	Insertion Loss (dB) max		Pass Band Ripple (dB) max	6dB Band Width (kHz) min	40dB Band Width (kHz) min	50dB Band Width (kHz) min	Spurious Attenuation fo±100kHz (dB) min		Input / Output Impedance (Ω)
			LTC 455U	LTC 455W					LTC 455U	LTC 455W	
LTC 455BU	LTC 455BW	455±1.5	4	4	2	±15.0	±30	±30	27	50	1000
LTC 455CU	LTC 455CW	455±1.5	4	4	2	±12.5	±25	±25	27	50	1000
LTC 455DU	LTC 455DW	455±1.5	4	4	2	±10.0	±20	±20	27	50	1500
LTC 455EU	LTC 455EW	455±1.5	6	4	2	±7.5	±15	±15	27	50	1500
LTC 455FU	LTC 455FW	455±1.5	6	6	2	±6.0	±12	±12	27	47	1500
LTC 455GU	LTC 455GW	455±1.5	6	6	2	±4.5	±10	±10	25	47	1500
LTC 455HU	LTC 455HW	455±1.5	6	6	2	±3.0	±9.0	±9.0	25	47	1500
LTC 455IU	LTC 455IW	455±1.5	6	6	2	±2.0	±7.5	±7.5	25	47	1500

Note: Center frequency 450KHz is also available.

▶ Test Circuit



▶ How to Order

LTC455BU

❶

P

❷

❶ Part Number

❷ Package

*Back to 1st Page - Ceramic Filters for Communication - LTC 455/450*

# Ceramic Filters for Communication

**Ceramic Filter for Communication  
(Murata CFUM/WM 455/450 Compatible)**



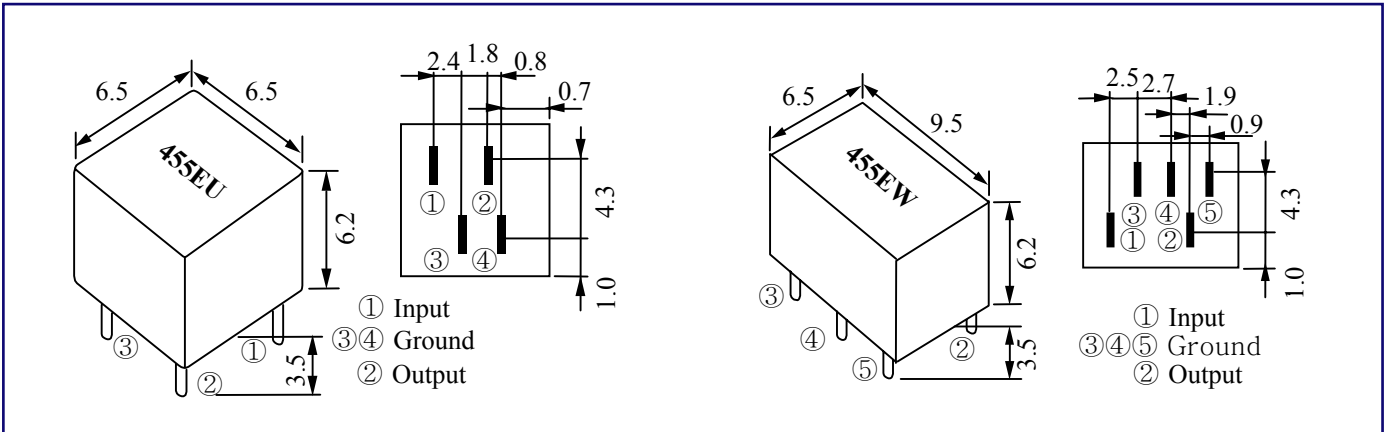
▶ **Preview**

Token ceramic filters for communication LTM 455/450 U/W series are miniaturized versions of the Murata CFU/CFWS lines.

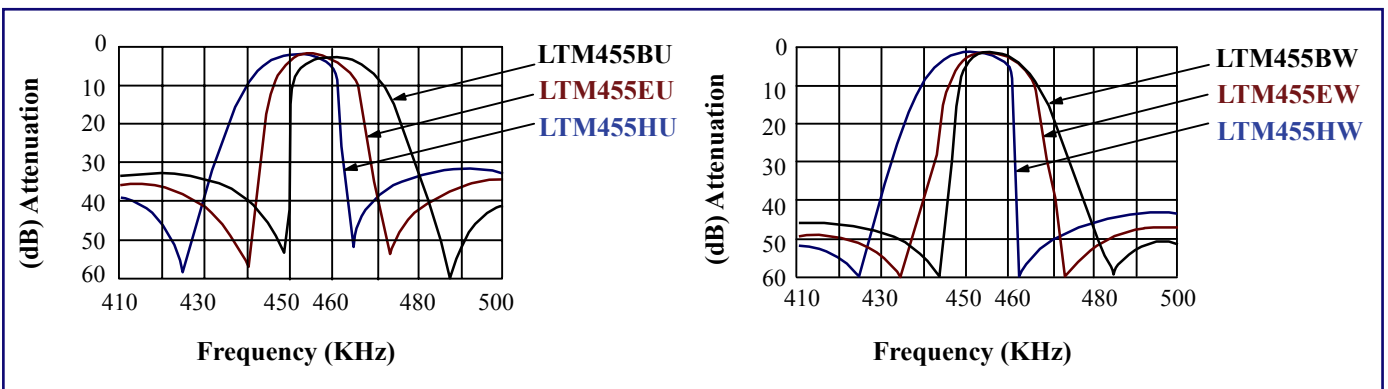
These compact, highly selective characteristics are recommended for use in applications ranging from two-way radio to auxiliary filters in high class transceivers.

These ultra-miniature versions consume approximately 40% less volume while still offering the same high performance filter characteristics.

## Dimensions



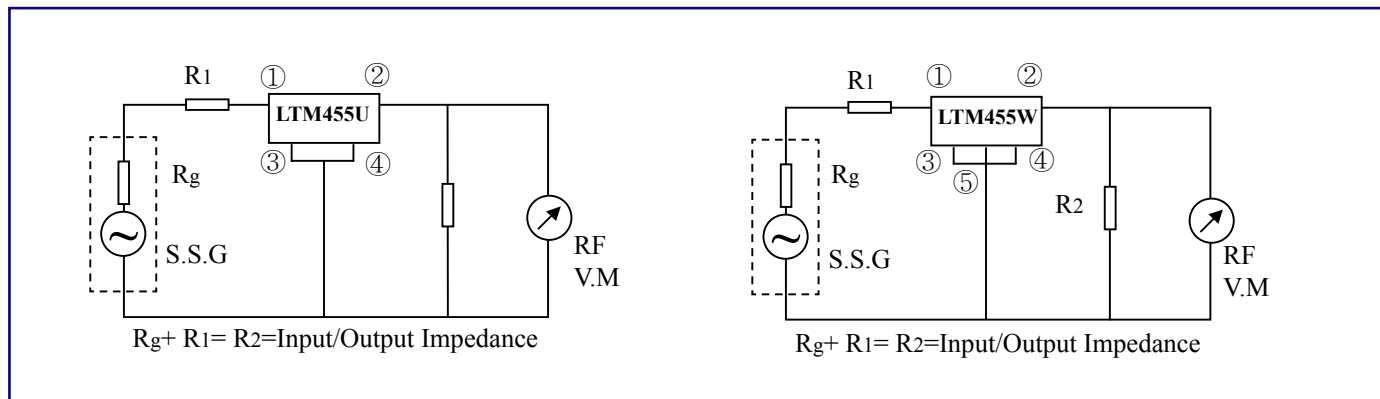
## Technical Characteristics



Part Number		Center Frequency (kHz)	Insertion Loss (dB) max	Pass Band Ripple (dB) max	6dB Band Width (kHz) min	40dB Band Width (kHz) max	50dB Band Width (kHz) max	Spurious Attenuation fo±100kHz (dB) min		Input / Output Impedance (Ω)
						LTM455 U	LTM455 W	(LTM 455 U)	(LTM 455 W)	
LTM455AU	LTM455AW	455±2.0	4	2	±17.5	±40	±35	28	40	1000
LTM455BU	LTM455BW	455±2.0	4	2	±15	±30	±30	28	40	1500
LTM455CU	LTM455CW	455±2.0	4	2	±12.5	±24	±24	28	40	1500
LTM455DU	LTM455DW	455±1.5	4	2	±10	±20	±20	28	40	1500
LTM455EU	LTM455EW	455±1.5	6	2	±7.5	±15	±15	28	40	1500
LTM455FU	LTM455FW	455±1.5	6	2	±6	±12.5	±12.5	28	40	2000
LTM455GU	LTM455GW	455±1.5	6	2	±4.5	±10	±10	28	40	2000
LTM455HU	LTM455HW	455±1.0	6	2	±3	±9	±9	28	40	2000
LTM455IU	LTM455IW	455±1.0	6	2	±2	±7.5	±7.5	28	40	2000
LT M455HTU	LT M455HTW	455±1.0	6	2	±3	±9	±9	35	60	2000

Note: Center frequency 450KHz is also available.

## ▶ Test Circuit



## ▶ How to Order

LTM455BU

❶

P

❷

❶ Part Number

❷ Package

*Back to 1st Page - Ceramic Filters for Communication - LTM 455/450*

## Ceramic Filters for Communication

**Token Ceramic Filters to Address the G.D.T. Characteristics for Communication (Murata CF, SF Compatible)**



### ▶ Preview

Token ceramic filters for communication LT 455/450 U/W series are 4-element and 6-element devices connected in ladder form. These highly selective filters are designed to address the G.D.T. characteristics required in digital communications.

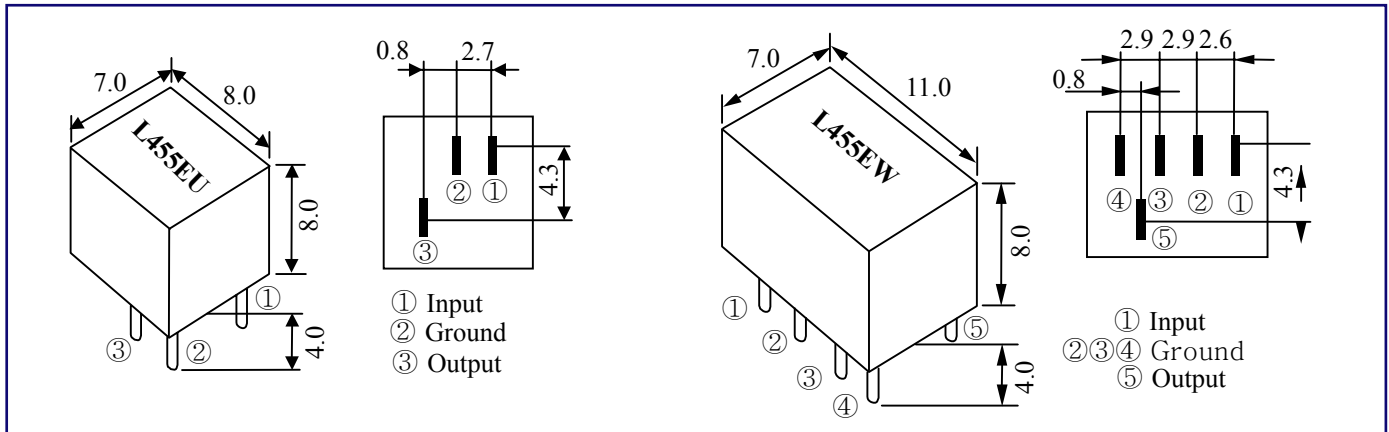
The excellent G.D.T. characteristics allow these filters to be utilized in areas such as the mobile cellular markets as well as a variety of stereo applications. (Also available in 450kHz version.)

Custom parts are available on request. Token will also produce devices outside these specifications to meet specific customer requirements, please contact our sales for more information.

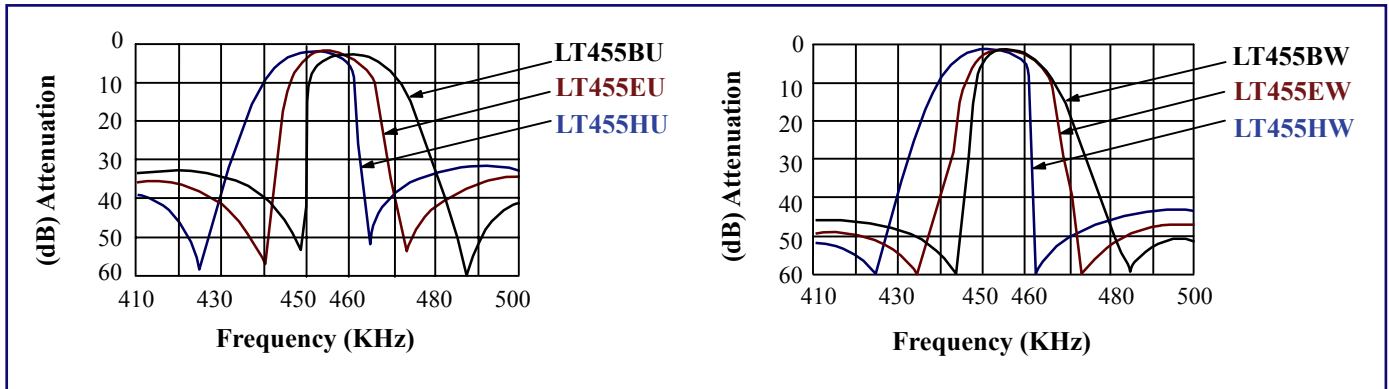
### ▶ Benefit Features :

- LT455 EU Dimensions: (7.0 x 8.0 x 8.0 mm).
- LT455 EW Dimensions: (7.0 x 11.0 x 8.0 mm).
- Center frequency: 450kHz, 455kHz.
- Pass Band Ripple (dB) max: 2 db.
- Insertion Loss (dB) max: 4 db, 6 db.
- Input / Output Impedance: 1000Ω ~ 2000Ω.

## Dimensions



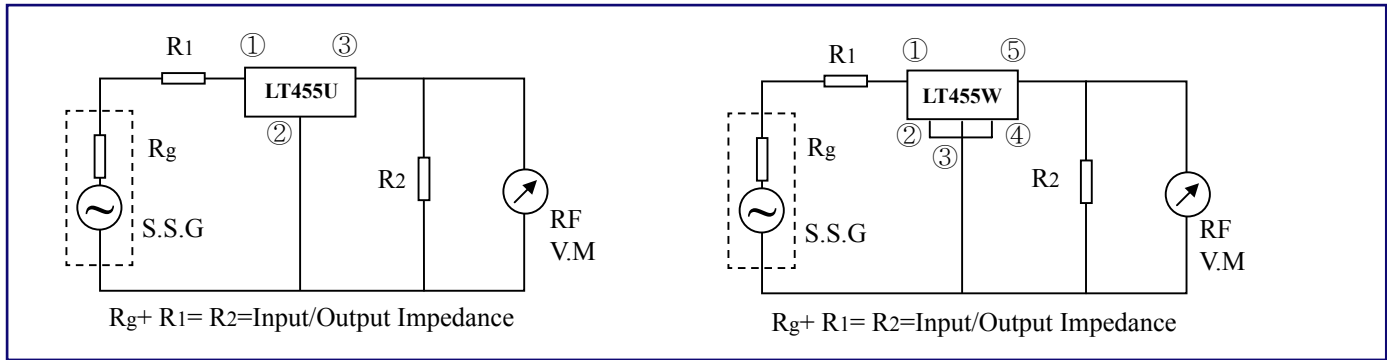
## Technical Characteristics



Part Number		Center Frequency (kHz)	Insertion Loss (dB) max	Pass Band Ripple (dB) max	6dB Band Width (kHz) min	40dB Band Width (kHz) max (LT455U)	50dB Band Width (kHz) max (LT455W)	Spurious Attenuation fo±100kHz (dB) min		Input / Output Impedance (Ω)
								(LT 455 U)	(LT 455 W)	
LT455AU	LT455AW	455±2.0	4	2	±17.5	±40	±35	28	40	1000
LT455BU	LT455BW	455±2.0	4	2	±15	±30	±30	28	40	1500
LT455CU	LT455CW	455±2.0	4	2	±12.5	±24	±24	28	40	1500
LT455DU	LT455DW	455±1.5	4	2	±10	±20	±20	28	40	1500
LT455EU	LT455EW	455±1.5	6	2	±7.5	±15	±15	28	40	1500
LT455FU	LT455FW	455±1.5	6	2	±6	±12.5	±12.5	28	40	2000
LT455GU	LT455GW	455±1.5	6	2	±4.5	±10	±10	28	40	2000
LT455HU	LT455HW	455±1.0	6	2	±3	±9	±9	28	40	2000
LT455IU	LT455IW	455±1.0	6	2	±2	±7.5	±7.5	28	40	2000
LT455HTU	LT455HTW	455±1.0	6	2	±3	±9	±9	35	60	2000

Note: Center frequency 450kHz is also available.

## ▶ Test Circuit



## ▶ How to Order

LT455BU

❶

P

❷

❶ Part Number

❷ Package

*Back to 1st Page - Ceramic Filters for Communication - LT 455/450 U/W*



# Ceramic Filters for AM

**Token Ceramic Filters for AM  
are Compatible Murata SFU450/455kHz**



## ► Preview

Token ceramic filters are primarily designed for piezoelectric lines and conform to the RoHS directive and Lead-free. Ceramic filters for AM (LTP) series are designed to address the needs of standard AM filtering requirements. These filters are recommended for use in low cost products where economically, efficient designs are critical.

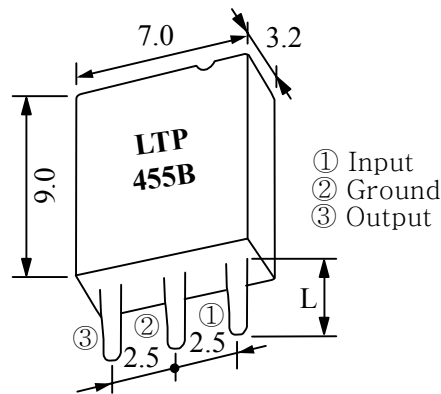
The LTP series for AM use is one of the most recommendable intermediate filters, having such distinctive features as high selectivity, high stability, and adjustment-free operation. Additionally its easy matching with IC helps create an easy circuit design.

Token ceramic filters can supply you high performance, high quality and stability. The LTP series can be customized designs and tighter tolerances available on request. Application of ceramic filters specific designs also available including different piezo band-pass devices and Q specifications adjusted to frequency requirements.

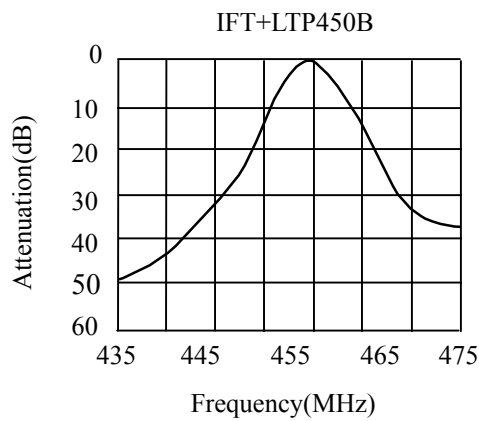
## ► Benefit Features

- Center frequency range between 450~470kHz are available standard tolerance of  $\pm 2$ kHz.
- Insert Loss (dB) max 5.0 db.

## Dimensions



## Technical Characteristics

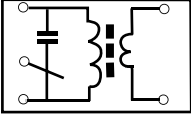


Part Number	3dB Band Width (kHz)	Center Frequency (fo) (kHz)	Selectivity(dB)min		Insert Loss (dB) max	Composition	Lead Length L (mm)	
			-9kHz off	+9kHz off			L1	L2
LTP455A	9.5±3	455±2	5.0	3.0	5.0	one element		
LTP455B	9.5±3	462±2	5.0	3.0	5.0	one element with IFT	3.6	5.0
LTP450BY	7±2	455±2	6.0	5.0	5.0			
LTP450BY1	4.5±1.5	452.5±2	9.0	8.0	5.0			

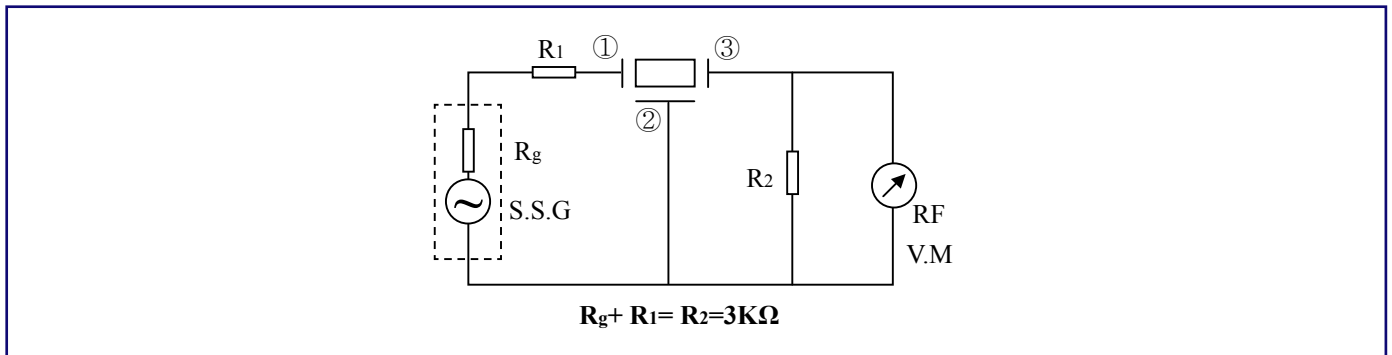
Note: Center Frequency (fo) is available in a range of 450~470kHz.

The nominal frequency tolerance is±2kHz

## ▶ Recommended IFT (7mm Square)

Item	LTP 455B		
Winding Specification	①~②	②~③	④~⑥
 Form bottom	70T	115T	7T
unloaded Qu	105		
Tuning Capacity	108PF		

## ▶ Test Circuit



## ▶ How to Order

LTP455A

❶

P

❷

❶ Part Number

❷ Package

*Back to 1st Page - Ceramic Filters for AM - LTP*

# Ceramic Filters for AM

## The Low Cost Standard AM Filters (Murata SFZ Compatible)



### ▶ Preview

Ceramic filters for AM (LTZ) series are designed to address the needs of standard AM filtering requirements and are recommended for use in low cost products where economically, efficient designs are critical.

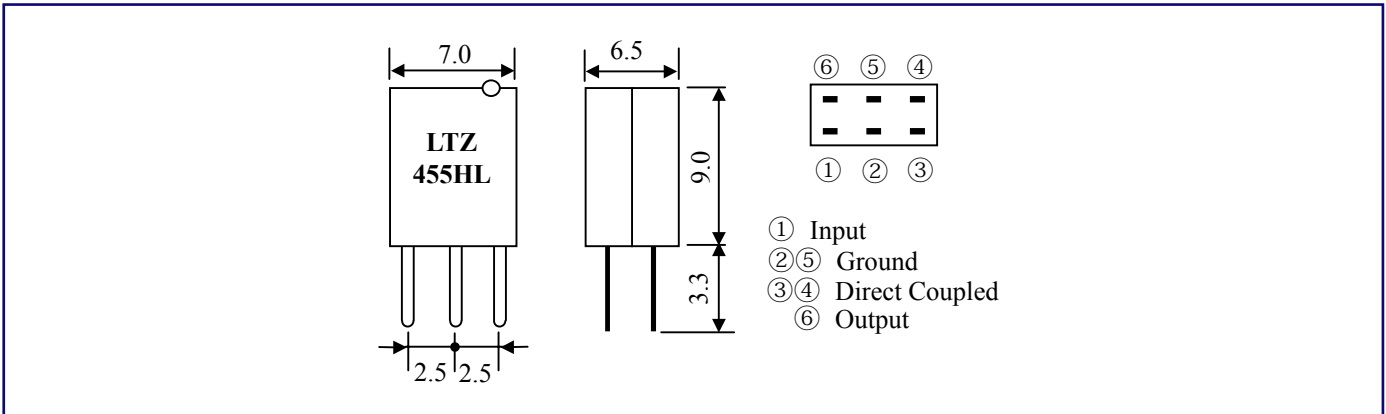
Token ceramic filters LTZ series for AM conform to the RoHS directive. The LTZ series can be customized designs and tighter tolerances available on request.

Application of ceramic filters specific designs also available including different piezo band-pass devices and Q specifications adjusted to frequency requirements. Token ceramic filters can supply you high performance, high quality and stability.

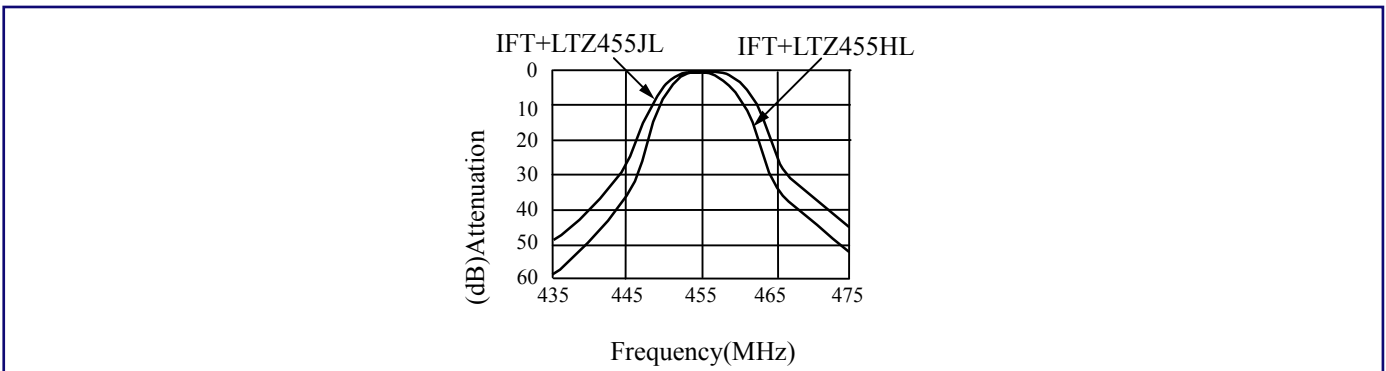
With dimensions (7.0 x 9.0 x 6.5mm), and Insertion Loss 7db, the (LTZ) series is composition of 2 elements direct coupling. Center Frequency ( $f_0$ ) is available in a range of 450kHz ~ 470kHz. The nominal frequency tolerance is  $\pm 2$ kHz.

Custom parts are available on request. Token will also produce devices outside these specifications to meet specific customer requirements, please contact our sales for more information.

## Dimensions



## Technical Characteristics

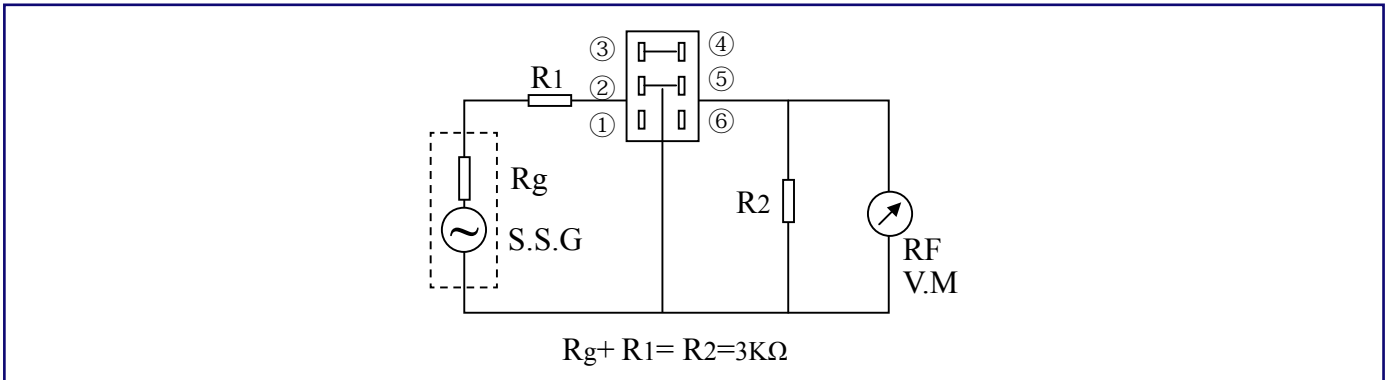


Part Number	Center Frquency (fo) (kHz)	3dB BandWidth (kHz)	Selectivity $\pm 9\text{kHz off (dB) min}$	InsertionLoss (dB)	Composition
LTZ455HL	455.5 $\pm$ 2.0	4.0 $\pm$ 1	23	7	2 elements direct coupling type
LTZ455JL	456.0 $\pm$ 2.0	5.5 $\pm$ 1	18	7	

Note: Center Frequency (fo) is available in a range of 450 ~ 470kHz.

The nominal frequency tolerance is  $\pm 2\text{kHz}$ .

## ▶ Test Circuit



## ▶ Recommended IFT (7mm Square)

Item	LTZ455HL/JL		
	①~②	②~③	④~⑥
Winding Specification  Form bottom	68T	84T	14T
unloaded $Q_u$	90		
Tuning Capacity	108PF		

## ▶ How to Order

LTZ455HL

❶

P

❷

❶ Part Number

❷ Package

*Back to 1st Page - Ceramic Filters for AM - LTZ*

# Miniature for AM Ceramic Filter

**One of The Most Recommendable Intermediate Filters  
for AM (Murata PFB Compatible)**

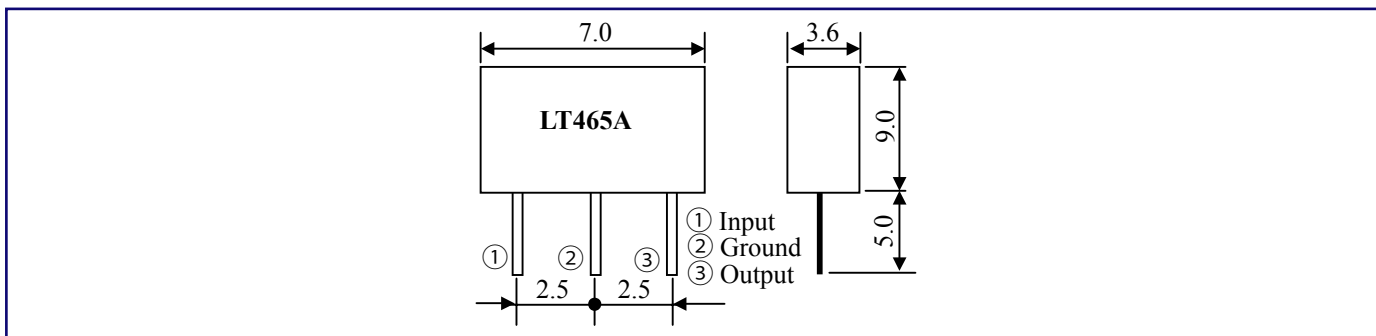
▶ **Preview**

Token miniature ceramic filters for AM is one of the most recommendable intermediate filters, having such distinctive features as high selectivity, high stability and adjustment-free operation.

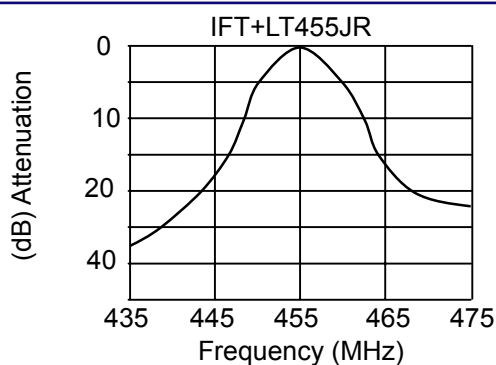
Additionally its easy matching with IC helps create an easy circuit design such as applications in Electric synthesized tuners, HiFi audio systems, AM stereo demodulations, One-chip non-adjustment IC's, and even smaller, thinner set structure to cope with these diversifying for AM receiver.

Features with center frequency between 450 and 470 kHz, standard tolerance  $\pm 2$  kHz, and synthesizers for the types of center frequencies 450, 459 and 468 kHz. Standard tolerance is  $\pm 1$  kHz.

## Dimensions



## Technical Characteristics



Part Number	3dB Band Width (kHz)	Selectivity $\pm 9$ kHz off (dB)	Insertion Loss (dB)	Composition
LT 455JR	5.5 $\pm$ 1.5	$\geq 17$	$\leq 6$	2 elements

Note: Center Frequency ( $f_0$ ) is available in a range of 450 ~ 470kHz.  
The nominal frequency tolerance is  $\pm 2$ kHz.

## Recommended IFT (7mm Square)

Item	7 $\times$ 7mm			5 $\times$ 5mm		
	①~②	②~③	④~⑥	①~②	②~③	④~⑥
Winding Specification  Form bottom	85T	67T	23T	84T	98T	33T
unloaded $Q_u$	90			65		
Tuning Capacity	180PF			180PF		

## How to Order

LT 455JR

①

① Part Number

P

②

② Package

[Back to 1st Page - Ceramic Filter Miniature for AM - LT 455JR](#)



# **Ceramic Filters for Communication**

## **LTB Ceramic Filter is Perfect for Shrinking Mobile Communication Products**

### **▶ Preview**

Token Ceramic Filter series conform to the RoHS directive and Lead-free.

Ceramic filters for communication LTB series can be customized designs and tighter tolerances available on request.

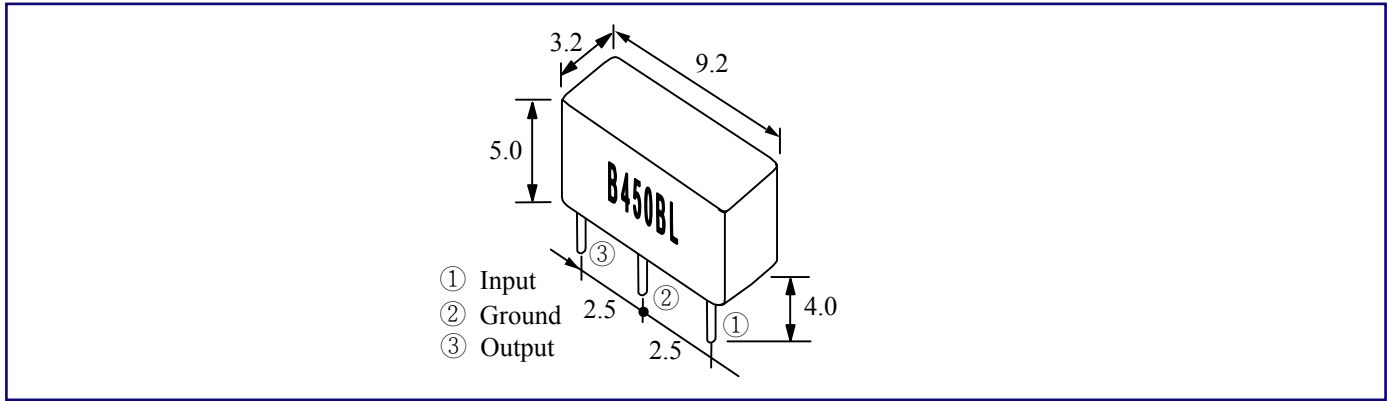
Application of ceramic filters specific designs also available including different piezo band-pass devices and Q specifications adjusted to frequency requirements.

Token ceramic filters for communication LTB series comprises small, high performance.

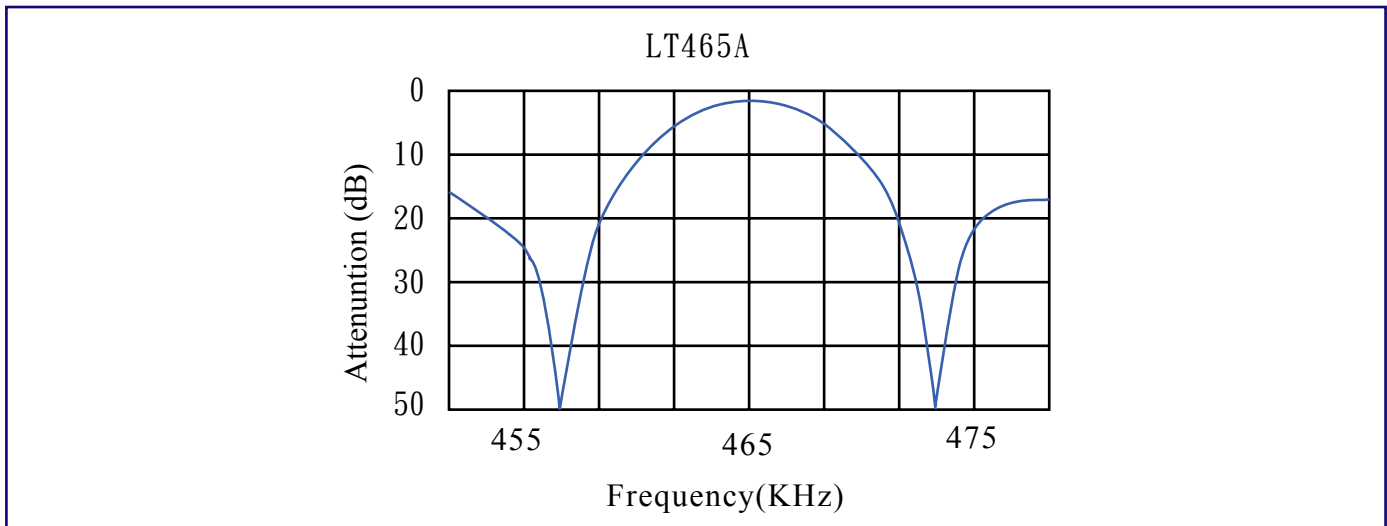
Their innovative construction is perfect for shrinking mobile communication products such as pocket pagers and cellular phones.

Operating temperature range:  $-20^{\circ}\text{C}$  to  $+80^{\circ}\text{C}$ ; Storage temperature range:  $-40^{\circ}\text{C}$  to  $+85^{\circ}\text{C}$ .

## ► Dimensions

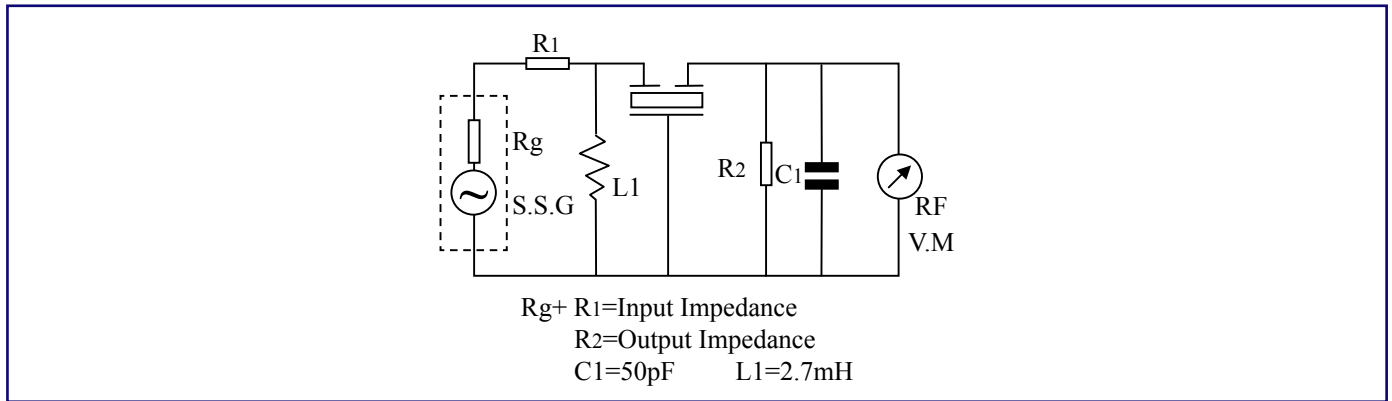


## ► Technical Characteristics



Part Number	Center Frequency (fo) (kHz)	6dB Band Width (kHz) min	Selectivity $\pm 9\text{kHz off}$ (dB) min	Pass Band Ripple (dB) max	Insertion Loss (dB) max	Input/ Output Impedance ( $\Omega$ )
LTB450AL2	450 $\pm$ 2	4	18	1.0	6.8	1.0/1.5
LTB455AL2	455 $\pm$ 2					
LTB465AL2	465 $\pm$ 2					
LTB450BL2	450 $\pm$ 2	6	16	1.0	5.8	1.5/2.0
LTB455BL2	455 $\pm$ 2					
LTB465BL2	465 $\pm$ 2					

## ▶ Test Circuit



## ▶ How to Order

LTB450AL2

❶

P

❷

❶ Part Number

❷ Package

*Back to 1st Page - Ceramic Filters for Communication - LTB*

# **Ceramic Filters for Radio ACassette Recorder**

## **Ceramic Filters for Radio Cassette Recorder (LTA)**

### **▶ Preview**

ceramic filters for radio-cassette recorder LTA series are designed to address the needs of standard radio cassette recorder requirements.

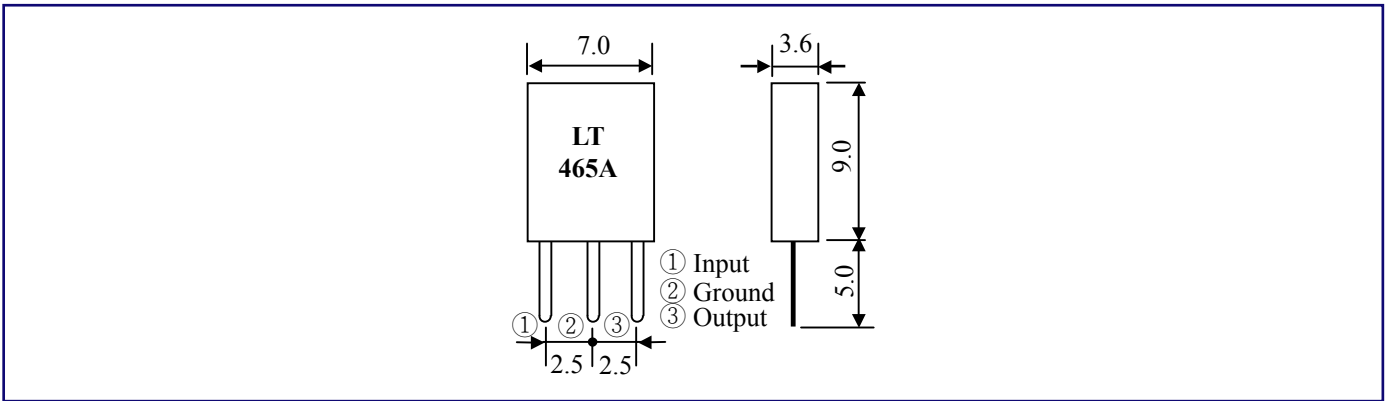
Recommend for use in low cost products where economically, efficient designs are critical. The nominal frequency tolerance is  $\pm 2\text{KHz}$ .

Token LTA series ceramic filters conform to the RoHS directive.

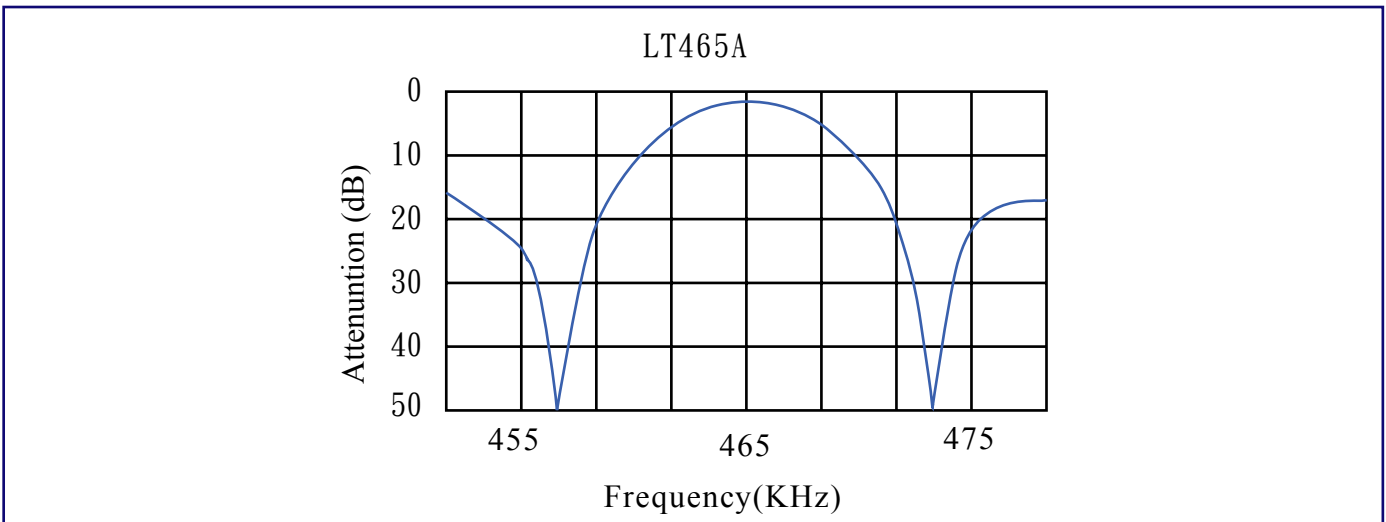
Ceramic filters for radio cassette recorder LT series can be customized designs and tighter tolerances available on request.

Application of ceramic filters specific designs also available including different piezo band-pass devices and Q specifications adjusted to frequency requirements.

## Dimensions



## Technical Characteristics

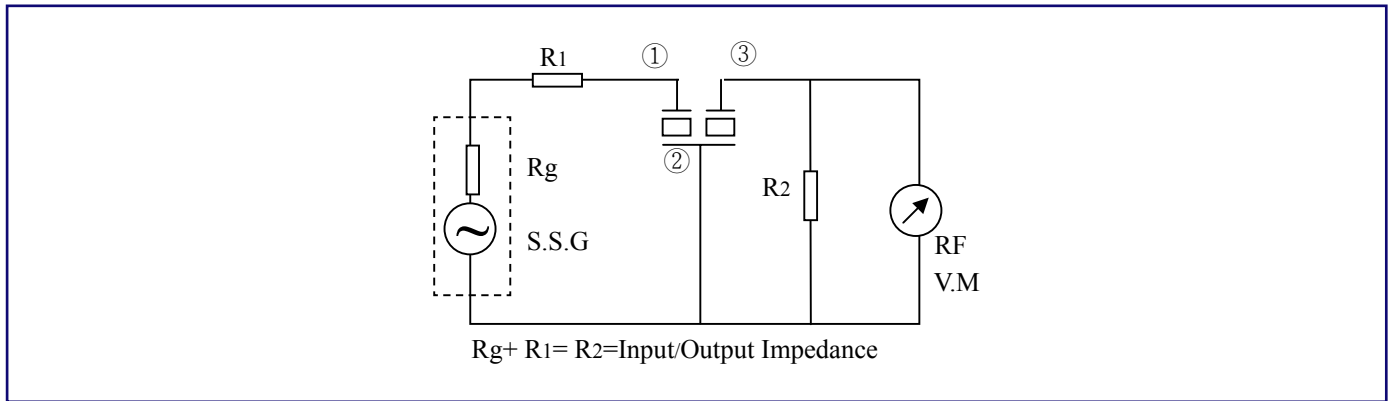


Part Number	Center Frequency (fo)(kHz)	Insertion Loss (dB)max	6dB Band Width (kHz)min	Spurious Attenuation (fo±100kHz)(dB)min	Selectivity ±9kHz off (dB)min	Pass Band Ripple (dB)max	Input/Output Impedance (Ω)
LT450A	450±2	3	8	12	11	1	2
LT455A	455±2	3	8	12	11	1	2
LT465A	465±2	3	8	12	11	1	2

Note: Center Frequency (fo) is available in a range of 450 ~ 470kHz.

The nominal frequency tolerance is ± 2kHz.

## ▶ Test Circuit



## ▶ How to Order

LT455A

❶

P

❷

❶ Part Number

❷ Package

*Back to 1st Page - Ceramic Filters for Radio Cassette Recorder - LT465A*

# Ceramic Filters Search-Stop Signal Detection

## Ceramic Filters 450kHz Search-Stop Signal Detection (Murata BFULA Compatible)

### ▶ Preview

Token ceramic filters 450kHz search-stop signal detection LZU series are specifically designed for signal detection circuitry used in applications such as that found in the search-stop functions of electronically tuned radios. Center frequency is also available in LTZ series a range of 450kHz ~ 470kHz.

The LZU series are narrow bandwidth filters. This filter is used in the application which detects the carrier peak with a narrow bandwidth amplifier, or an electronic tuner as a stop signal detector.

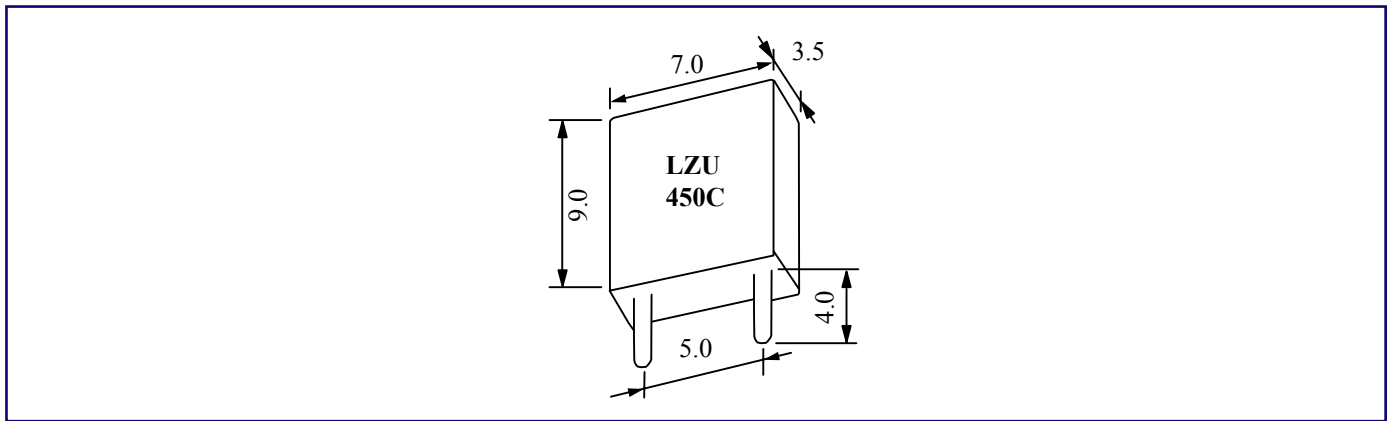
The LZU series can be customized designs and tighter tolerances available on request and conform to the RoHS directive.

Custom parts are available on request. Token will also produce devices outside these specifications to meet specific customer requirements, please contact our sales for more information.

### ▶ Benefit Features

- Center frequency: 455kHz. (470kHz is also available.)
- Most suitable for IC Station Detectors (SD).
- Resonant Resistance (max):  $20\Omega \sim 30\Omega$ .
- LZU Dimensions: (7.0 x 9.0 x 3.5 mm).
- for IF signal detection.

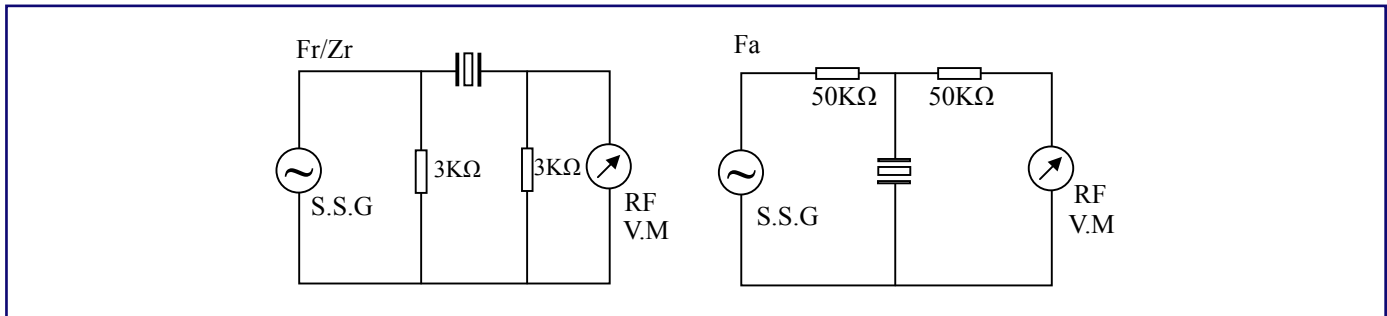
## ► Dimensions



## ► Technical Characteristics

Part Number	Resonant Frequency (kHz)	Resonant Resistance ( $\Omega$ ) (max)	Band Width(fa-fr) (kHz)	Application
LZU450C	450 $\pm$ 1.0	20	14 $\pm$ 2	IF signal detection
LZU450C4N	450 $\pm$ 0.8	30	9 $\pm$ 2	
LZU450K3	450 $\pm$ 1.0	30	27.5 $\pm$ 4.5	

## ► Technical Test Circuit



## ► How to Order

LZU450C

❶

❶ Part Number

P

❷

❷ Package

*Back to 1st Page - Ceramic Filters 450kHz Search-Stop Signal Detection - LZU*